

Adaptors

DRAFT



Adaptors

Adaptors Catalogue

© Intertraco (Italia) S.p.A.

The data reported in this catalogue are not binding. Intertraco (Italia) S.p.A. reserves the right to change specifications without notice.

NOTES:

Please note that this catalogue is to be intended as a draft, hence for any precise information please refer to our Technical Department.

product	code	description	page
JIC	AJJ	Union JIC male 37° ends	12
	AJJP	Bulkhead union JIC 37° ends (complete with locknut)	13
	AJB	Male stud connector - JIC 37° end / BSPP male thread - ED seal (ISO 1179-2)	14
	AJBX	Male stud connector - JIC 37° end / BSPP male thread	16
	AJBR	Male stud connector - JIC 37° end / BSPP male thread - O-ring + retaining ring (ISO 1179-3)	18
	AJE	Male stud connector - JIC 37° end / UN/UNF male thread - O-ring (ISO 11926)	20
	AJM	Male stud connector - JIC 37° end / male metric thread - ED seal (ISO 9974-2)	22
	AJM1	Male stud connector - JIC 37° end / male metric thread - O-ring (ISO 6149)	23
	AJMR	Male stud connector - JIC 37° end / male metric thread - O-ring + retaining ring	24
	AJN	Male stud connector - JIC 37° end / NPTF male thread	25
	AJT	Male stud connector - JIC 37° end / male BSPT thread	26
	GJB	JIC 37° female swivel end / male BSPP end - ED seal (ISO 1179-2)	28
	GJBR	JIC 37° female swivel end / male BSPP thread - O-ring + retaining ring (ISO 1179-3)	29
	GJN	JIC 37° female swivel end / male NPT end	30
	DJB	Female connector - male JIC 37° end / female BSPP end	31
	DJJA	Reducer - JIC 37° fixed female end / JIC 37° male end - type A	32
	DJJB	Reducer - JIC 37° swivel female end / JIC 37° male end - type B	33
	UJTB	Test point connector - JIC 37° fixed female end / fixed BSPP female end	34
	FJJH	Union JIC 37° female swivel nut	35
	LAJJ	90° union elbow - JIC male 37° ends	36
	LAJJP	90° bulkhead union elbow - JIC male 37° ends (complete with locknut)	37
	LAJBR	90° male stud elbow - JIC 37° end / adjustable BSPP end O-ring + retaining ring (ISO 1179-3)	38
	LAJE	90° male stud elbow - JIC 37° end / adjustable UN/UNF end - O-ring (ISO 11926)	40
	LAJM1	90° male stud elbow - JIC 37° end / adjustable metric end - O-ring (ISO 6149)	41
	LAJMR	90° male stud elbow - JIC male 37° end / male metric end - O-ring + retaining ring	42
	LAJN	90° male stud elbow - JIC 37° end / male NPTF end	43
	LAJT	90° male stud elbow - JIC 37° end / male BSPT end	44
	LGJJ	90° swivel nut elbow - JIC male 37° end / JIC 37° female swivel end	45
	VAJBR	45° male stud elbow - JIC 37° end / adjustable BSPP end O-ring + retaining ring (ISO 1179-3)	46
	VAJE	45° male stud elbow - JIC 37° end / adjustable UN/UNF end - O-ring (ISO 11926)	47
	VAJMR	45° male stud elbow - JIC 37° end / metric end - O-ring + retaining ring	48
	VAJN	45° male stud elbow - JIC 37° end / NPTF end	49

product	code	description	page
JIC	VAJT	45° male stud elbow - JIC 37° end / BSPT end	50
	VGJJ	45° swivel nut elbow - male JIC 37° end / JIC 37° female swivel end	51
	T1J	Union tee - male JIC 37° ends	52
	T2JP	Bulkhead run tee - JIC 37° ends (complete with locknut)	53
	T2JBR	Male stud run tee - JIC 37° ends / adjustable BSPP end O-ring + retaining ring (ISO 1179-3)	54
	T3JBR	Male stud branch tee - JIC 37° ends / adjustable BSPP end O-ring + retaining ring (ISO 1179-3)	55
	T4J	Swivel nut run tee - male JIC 37° ends / JIC 37° female swivel end	56
	T5J	Swivel nut branch tee - male JIC 37° ends / JIC 37° female swivel end	57
	XAJ	Union cross - male JIC 37° ends	58
	PAJ	JIC male 37° end plug	59
	CJX	JIC 37° female swivel cap	60
	DJIC3V	JIC nut	61
	CJIC	JIC locknut	62
	ORFS	AOO	Union male ORFS ends
AOOP		Bulkhead union ORFS ends (complete with locknut)	67
AOB		Male stud connector - ORFS end / BSPP thread - ED seal (ISO 1179-2)	68
AOE		Male stud connector - ORFS end / UN/UNF thread - O-ring (ISO 11926)	70
AOM		Male stud connector - ORFS end / metric thread - ED seal (ISO 9974-2)	71
AOM1		Male stud connector - ORFS end / metric thread - O-ring (ISO 6149)	72
AOMR		Male stud connector - ORFS end / metric thread - O-ring + retaining ring	74
GOB		ORFS female swivel end / male BSPP end - ED seal (ISO 1179-2)	75
DOOB		Reducer - ORFS swivel female end / ORFS male end - type B	76
LAOO		90° Union elbow - ORFS male ends	77
LAOOP		90° Bulkhead union elbow - ORFS ends	78
LAOBR		90° male stud elbow - ORFS end / adjustable BSPP end O-ring + retaining ring (ISO 1179-3)	79
LAOE		90° male stud elbow - ORFS end / adjustable UN/UNF end - O-ring (ISO 11926)	81
LAOM1		90° male stud elbow - ORFS end / adjustable metric end - O-ring (ISO 6149)	82
LAOMR		90° male stud elbow - ORFS end / male metric end - O-ring + retaining ring	83
LGOO		90° swivel nut elbow - male ORFS end / swivel female ORFS end	84
VAOOP		45° bulkhead union elbow - male ORFS ends (complete with locknut)	85
VAOBR		45° male stud elbow - ORFS end / BSPP end O-ring + retaining ring (ISO 1179-3)	86
VGOO		45° swivel nut elbow - male ORFS end / swivel female ORFS end	87

product	code	description	page
ORFS	T1O	Union tee - male ORFS ends	88
	T2OBR	Male stud run tee - ORFS ends / adjustable BSPP end O-ring + retaining ring (ISO 1179-3)	89
	T3OBR	Male stud branch tee - ORFS ends / adjustable BSPP end O-ring + retaining ring (ISO 1179-3)	90
	T3OM1	Male stud branch tee - ORFS ends / adjustable metric end - O-ring (ISO 6149)	91
	T3OMR	Male stud branch tee - ORFS ends / adjustable male metric end - O-ring + retaining ring	92
	T4O	Swivel nut run tee - ORFS ends / ORFS female swivel end	93
	T5O	Swivel nut branch tee - male ORFS ends / ORFS swivel female end	94
	PAO	Male ORFS plug	95
	COX	ORFS female swivel cap	96
BSP	ABBDIN	Union BSPP male 60° cone ends	100
	ABBP	Bulkhead union BSPP 60° cone ends (complete with locknut)	102
	ABMDIN	Male stud connector - BSPP 60° cone end / male metric thread 60° cone end	103
	ABT	Male stud connector - BSPP 60° cone end / male BSPT thread	104
	GBBX	Male BSPP 60° cone end / swivel female BSPP 60° cone end	106
	GBJ	Swivel female BSPP 60° cone end / male JIC 37° flare end	107
	DBBA	Reducer/expander - male BSPP thread - ED-seal (ISO 1179-2) / female BSPP thread - type A	108
	DBBB	Reducer/expander - male BSPP thread - ED-seal (ISO 1179-2) / female BSPP thread - type B	109
	DBBX	Reducer/expander - male BSPP thread 60° cone end / fixed female BSPP end	110
	FBBH	Union BSPP female swivel nut	111
	UBTB	Test point connector - BSPP fixed female ends	112
	LABB	90° union elbow - male BSPP 60° cone ends	113
	LABBR	90° union elbow - male BSPP 60° cone end / adjustable BSPP end O-ring + retaining ring (ISO 1179-3)	114
	LGBB	90° swivel nut elbow - male BSPP end / swivel female BSPP 60° cone end	115
	LGBBR	90° swivel nut elbow - swivel female BSPP 60° cone end / adjustable BSPP end O-ring + retaining ring (ISO 1179-3)	116
	LFBB	90° union elbow - fixed female BSPP end / swivel BSPP female end	117
	LFBBA	90° union elbow - fixed female BSPP ends	118
	VGBB	45° swivel nut elbow - BSPP male end / BSPP female swivel end	119
	T1B	Union tee - BSPP male ends	120
	T4B	Swivel nut run tee - male BSPP ends / swivel female BSPP 60° cone end	121
T5B	Swivel nut branch tee - male BSPP ends / swivel female BSPP 60° cone end	122	

product	code	description	page
BSP	T6B	Union tee - fixed female BSPP ends	123
	T7B	Union tee - swivel female BSPP ends	124
	PAB	BSPP 60° cone plug	125
	PBX	Hexagon socket plug - male BSPP end - ED-seal (ISO 1179-2)	126
	CBX	BSPP 60° cone female swivel cap	127
	CBSP	BSPP locknut	128
NPTF	ANN	Union NPTF male ends	132
	GNN	NPTF female swivel end / male NPTF end	133
	QNN	Straight connector - male NPTF end / female NPTF end	134
	FNNA	Union NPFT fixed female ends	135
	LANN	90° union elbow - male NPTF ends	136
	LGNN	90° swivel nut elbow - male NPTF end / NPTF female swivel end	137
	LGNNA	90° elbow - male NPTF end / NPTF female fixed end	138
	LFNN	90° union elbow - fixed female NPTF end / swivel NPTF female end	139
	LFNNA	90° union elbow - fixed female NPTF ends	140
	VFNNA	45° union elbow - fixed female NPTF ends	141
	T6N	Union tee - fixed female NPTF ends	142
	T8N	Male/female run tee - fixed female NPTF ends / male NPTF end	143
	PAN	Male NPTF plug	144
OTHERS	PEX	Hexagon socket plug - male UN/UNF end - O-ring (ISO 11926)	148
	PMX	Blanking plug for ports - male metric thread - ED-seal (ISO 9974)	149

JIC

SAE JIC 37°
flare tube connectors

pag - 11

ORFS

SAE O-ring
face seal connectors

pag - 65

BSP

British standard 60°
connectors

pag - 99

NPTF

SAE pipe taper NPTF
connectors

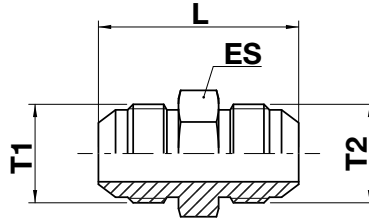
pag - 131

others

pag - 147

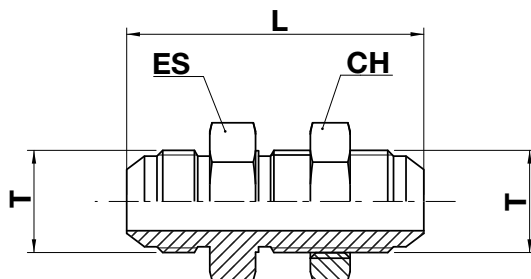
JIC

SAE JIC 37° flare tube connectors

Union JIC male 37° ends**JIC**

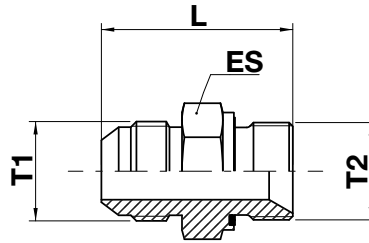
ORFS
BSP
NPTF
OTHERS

code	ø hose		thread		L mm	ES	
	inch	dn	T1	T2		mm	↻ in
AJJ-04-04	1/4"	6	7/16" - 20	7/16" - 20	34,8	12,0	1/2"
AJJ-04-06	1/4"	6	7/16" - 20	9/16" - 18	35,7	17,0	11/16"
AJJ-05-05	5/16"	8	1/2" - 20	1/2" - 20	34,8	14,0	9/16"
AJJ-06-06	3/8"	10	9/16" - 18	9/16" - 18	35,8	17,0	11/16"
AJJ-06-08	3/8"	10	9/16" - 18	3/4" - 16	38,6	22,0	7/8"
AJJ-06-10	3/8"	10	9/16" - 18	7/8" - 14	42,7	24,0	15/16"
AJJ-08-08	1/2"	12	3/4" - 16	3/4" - 16	41,2	22,0	7/8"
AJJ-08-10	1/2"	12	3/4" - 16	7/8" - 14	45,2	24,0	15/16"
AJJ-08-12	1/2"	12	3/4" - 16	1.1/16" - 12	49,5	30,0	1.3/16"
AJJ-10-10	5/8"	14/15/16	7/8" - 14	7/8" - 14	47,8	24,0	15/16"
AJJ-10-12	5/8"	14/15/16	7/8" - 14	1.1/16" - 12	52,0	27,0	1.1/16"
AJJ-10-16	5/8"	14/15/16	7/8" - 14	1.5/16" - 12	53,4	36,0	1.7/16"
AJJ-12-12	3/4"	18/20	1.1/16" - 12	1.1/16" - 12	54,9	30,0	1.3/16"
AJJ-12-16	3/4"	18/20	1.1/16" - 12	1.5/16" - 12	56,0	36,0	1.7/16"
AJJ-12-20	3/4"	18/20	1.1/16" - 12	1.5/8" - 12	59,4	46,0	1.13/16"
AJJ-16-16	1"	25	1.5/16" - 12	1.5/16" - 12	57,2	36,0	1.7/16"
AJJ-20-16	1.1/4"	28/30/32	1.5/8" - 12	1.5/16" - 12	60,5	46,0	1.13/16"
AJJ-20-20	1.1/4"	28/30/32	1.5/8" - 12	1.5/8" - 12	61,7	46,0	1.13/16"
AJJ-20-24	1.1/4"	28/30/32	1.5/8" - 12	1.7/8" - 12	65,7	50,0	2"
AJJ-24-24	1.1/2"	35/38	1.7/8" - 12	1.7/8" - 12	69,8	50,0	2"
AJJ-32-32	2"	51	2.1/2" - 12	2.1/2" - 12	86,5	65,0	2.9/16"

Bulkhead union JIC 37° ends (complete with locknut)

JIC
ORFS
BSP
NPTF
OTHERS

code	ø hose		thread	L	ES		CH	
	inch	dn	T	mm	mm	↗ in	mm	↗ in
AJJP-04-04	1/4"	6	7/16" - 20	52,6	17,0	11/16"	17,0	11/16"
AJJP-06-06	3/8"	10	9/16" - 18	55,4	22,0	7/8"	22,0	7/8"
AJJP-08-08	1/2"	12	3/4" - 16	62,0	24,0	15/16"	24,0	15/16"
AJJP-10-10	5/8"	14/15/16	7/8" - 14	69,6	30,0	1.3/16"	30,0	1.3/16"
AJJP-12-12	3/4"	18/20	1.1/16" - 12	78,5	36,0	1.7/16"	36,0	1.7/16"
AJJP-16-16	1"	25	1.5/16" - 12	79,8	41,0	1.5/8"	41,0	1.5/8"
AJJP-20-20	1.1/4"	28/30/32	1.5/8" - 12	84,1	50,0	2"	50,0	2"
AJJP-24-24	1.1/2"	35/38	1.7/8" - 12	89,4	55,0	2.3/16"	55,0	2.3/16"

Male stud connector - JIC 37° end / male BSPP thread - ED seal (ISO 1179-2)**JIC**

ORFS

BSP

NPTF

OTHERS

code	ø hose		thread		L mm	ES	
	inch	dn	T1	T2		mm	in
AJB-04-02	1/4"	6	7/16"-20	1/8"-28	29,0	14,0	9/16"
AJB-04-04	1/4"	6	7/16"-20	1/4"-19	34,0	19,0	3/4"
AJB-04-06	1/4"	6	7/16"-20	3/8" - 19	34,0	22,0	7/8"
AJB-04-08	1/4"	6	7/16"-20	1/2" - 14	39,5	27,0	1.1/16"
AJB-05-04	5/16"	8	1/2"-20	1/4"-19	34,0	19,0	3/4"
AJB-06-02	3/8"	10	9/16"-18	1/8" - 28	30,0	17,0	11/16"
AJB-06-04	3/8"	10	9/16"-18	1/4"-19	34,0	19,0	3/4"
AJB-06-06	3/8"	10	9/16"-18	3/8"-19	34,5	22,0	7/8"
AJB-06-08	3/8"	10	9/16"-18	1/2"-14	38,0	27,0	1.1/16"
AJB-06-12	3/8"	10	9/16"-18	3/4"-14	45,0	32,0	1.1/4"
AJB-08-04	1/2"	12	3/4"-16	1/4"-19	38,5	19,0	3/4"
AJB-08-06	1/2"	12	3/4"-16	3/8"-19	37,5	22,0	7/8"
AJB-08-08	1/2"	12	3/4"-16	1/2"-14	39,5	27,0	1.1/16"
AJB-08-10	1/2"	12	3/4"-16	5/8"-14	43,0	30,0	1.3/16"
AJB-08-12	1/2"	12	3/4"-16	3/4"-14	46,7	32,0	1.1/4"
AJB-08-16	1/2"	12	3/4"-16	1"-11	48,0	41,0	1.5/8"
AJB-10-06	5/8"	14/15/16	7/8"-14	3/8"-19	41,3	24,0	15/16"
AJB-10-08	5/8"	14/15/16	7/8"-14	1/2"-14	45,0	27,0	1.1/16"
AJB-10-10	5/8"	14/15/16	7/8"-14	5/8"-14	45,3	30,0	1.3/16"

← **AJB**

DRAFT

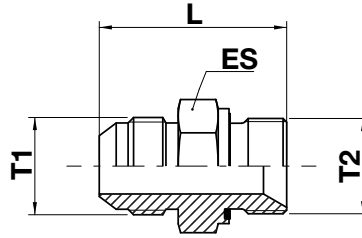
code	ø hose		thread		L	ES	
	inch	dn	T1	T2	mm	mm	↻ in
AJB-10-12	5/8"	14/15/16	7/8"-14	3/4"-14	49,0	32,0	1.1/4"
AJB-10-16	5/8"	14/15/16	7/8"-14	1" - 11	50,8	41,0	1.5/8"
AJB-12-06	3/4"	18/20	1.1/16"-12	3/8"-19	48,0	27,0	1.1/16"
AJB-12-08	3/4"	18/20	1.1/16"-12	1/2"-14	48,0	27,0	1.1/16"
AJB-12-10	3/4"	18/20	1.1/16"-12	5/8"-14	50,0	30,0	1.3/16"
AJB-12-12	3/4"	18/20	1.1/16"-12	3/4"-14	52,0	32,0	1.1/4"
AJB-12-16	3/4"	18/20	1.1/16" - 12	1" - 11	53,5	41,0	1.5/8"
AJB-16-12	1"	25	1.5/16" - 12	3/4" - 14	52,5	36,0	1.7/16"
AJB-16-16	1"	25	1.5/16" - 12	1" - 11	55,0	41,0	1.5/8"
AJB-16-20	1"	25	1.5/16" - 12	1.1/4" - 11	57,5	50,0	2"
AJB-16-24	1"	25	1.5/16" - 12	1.1/2" - 11	62,0	55,0	2.3/16"
AJB-20-12	1.1/4"	28/30/32	1.5/8" - 12	3/4"-14	54,5	46,0	1.13/16"
AJB-20-16	1.1/4"	28/30/32	1.5/8" - 12	1" - 11	58,5	46,0	1.13/16"
AJB-20-20	1.1/4"	28/30/32	1.5/8" - 12	1.1/4" - 11	58,5	50,0	2"
AJB-20-24	1.1/4"	28/30/32	1.5/8" - 12	1.1/2" - 11	63,5	55,0	2.3/16"
AJB-24-16	1.1/2"	35/38	1.7/8" - 12	1" - 11	60,0	50,0	2"
AJB-24-20	1.1/2"	35/38	1.7/8" - 12	1.1/4" - 11	62,0	50,0	2"
AJB-24-24	1.1/2"	35/38	1.7/8" - 12	1.1/2" - 11	65,0	55,0	2.3/16"
AJB-24-32	1.1/2"	35/38	1.7/8" - 12	2" - 11	68,0	70,0	2.3/4"
AJB-32-32	2"	51	2.1/2" - 12	2" - 11	74,0	70,0	2.3/4"

JIC
ORFS
BSP
NPTF
OTHERS

←

AJBX

Male stud connector - JIC 37° end / male BSPP thread



JIC

ORFS

BSP

NPTF

OTHERS

code	ø hose		thread		L mm	ES	
	inch	dn	T1	T2		mm	in
AJBX-04-04	1/4"	6	7/16"-20	1/4"-19	34,0	19,0	3/4"
AJBX-04-06	1/4"	6	7/16"-20	3/8" - 19	34,0	22,0	7/8"
AJBX-06-04	3/8"	10	9/16"-18	1/4"-19	34,0	19,0	3/4"
AJBX-06-06	3/8"	10	9/16"-18	3/8"-19	36,0	22,0	7/8"
AJBX-06-08	3/8"	10	9/16"-18	1/2"-14	39,0	27,0	1.1/16"
AJBX-08-06	1/2"	12	3/4"-16	3/8"-19	37,5	22,0	7/8"
AJBX-08-08	1/2"	12	3/4"-16	1/2"-14	39,5	27,0	1.1/16"
AJBX-08-12	1/2"	12	3/4"-16	3/4"-14	45,5	32,0	1.1/4"
AJBX-10-08	5/8"	14/15/16	7/8"-14	1/2"-14	44,5	27,0	1.1/16"
AJBX-10-12	5/8"	14/15/16	7/8"-14	3/4"-14	48,0	32,0	1.1/4"
AJBX-10-16	5/8"	14/15/16	7/8"-14	1" - 11	50,0	41,0	1.5/8"
AJBX-12-08	3/4"	18/20	1.1/16"-12	1/2"-14	47,0	27,0	1.1/16"
AJBX-12-12	3/4"	18/20	1.1/16"-12	3/4"-14	51,0	32,0	1.1/4"
AJBX-12-16	3/4"	18/20	1.1/16" - 12	1" - 11	52,5	41,0	1.5/8"
AJBX-16-12	1"	25	1.5/16" - 12	3/4" - 14	57,0	36,0	1.7/16"
AJBX-16-16	1"	25	1.5/16" - 12	1" - 11	55,0	41,0	1.5/8"
AJBX-16-20	1"	25	1.5/16" - 12	1.1/4" - 11	60,5	50,0	2"
AJBX-20-12	1.1/4"	28/30/32	1.5/8" - 12	3/4"-14	57,5	46,0	1.13/16"
AJBX-20-16	1.1/4"	28/30/32	1.5/8" - 12	1" - 11	58,5	46,0	1.13/16"

← **AJBX**

DRAFT

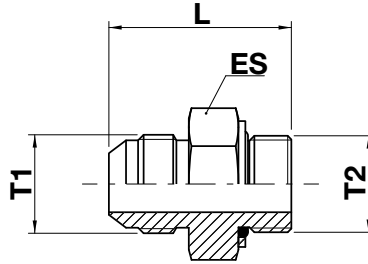
code	ø hose		thread		L	ES	
	inch	dn	T1	T2	mm	mm	↻ in
AJBX-20-20	1.1/4"	28/30/32	1.5/8" - 12	1.1/4" - 11	61,5	50,0	2"
AJBX-20-24	1.1/4"	28/30/32	1.5/8" - 12	1.1/2" - 11	63,5	55,0	2.3/16"
AJBX-24-20	1.1/2"	35/38	1.7/8" - 12	1.1/4" - 11	65,5	50,0	2"
AJBX-24-24	1.1/2"	35/38	1.7/8" - 12	1.1/2" - 11	66,0	55,0	2.3/16"
AJBX-24-32	1.1/2"	35/38	1.7/8" - 12	2" - 11	70,0	70,0	2.3/4"
AJBX-32-32	2"	51	2.1/2" - 12	2" - 11	76,0	70,0	2.3/4"

JIC
ORFS
BSP
NPTF
OTHERS

←

AJBR

Male stud connector - JIC 37° end / male BSPP thread - O-ring + retaining ring (ISO 1179-3)



JIC

ORFS

BSP

NPTF

OTHERS

code	ø hose		thread		L mm	ES	
	inch	dn	T1	T2		mm	in
AJBR-04-04	1/4"	6	7/16" - 20	1/4" - 19	35,0	19,0	3/4"
AJBR-04-06	1/4"	6	7/16" - 20	3/8" - 19	35,0	22,0	7/8"
AJBR-04-08	1/4"	6	7/16"-20	1/2"-14	38,0	30,0	1.3/16"
AJBR-06-04	3/8"	10	9/16" - 18	1/4" - 19	32,0	19,0	3/4"
AJBR-06-06	3/8"	10	9/16" - 18	3/8" - 19	34,5	22,0	7/8"
AJBR-06-08	3/8"	10	9/16" - 18	1/2" - 14	39,0	30,0	1.3/16"
AJBR-06-12	3/8"	10	9/16" - 18	3/4" - 14	39,5	36,0	1.7/16"
AJBR-08-04	1/2"	12	3/4" - 16	1/4" - 19	35,0	19,0	3/4"
AJBR-08-08	1/2"	12	3/4" - 16	1/2" - 14	41,5	27,0	1.1/16"
AJBR-08-12	1/2"	12	3/4" - 16	3/4" - 14	42,0	36,0	1.7/16"
AJBR-12-08	3/4"	18/20	1.1/16" - 12	1/2" - 14	46,0	30,0	1.3/16"
AJBR-12-12	3/4"	18/20	1.1/16" - 12	3/4" - 14	47,5	36,0	1.7/16"
AJBR-12-16	3/4"	18/20	1.1/16" - 12	1" - 11	54,7	46,0	1.13/16"
AJBR-12-20	3/4"	18/20	1.1/16" - 12	1.1/4" - 11	56,0	50,0	2"
AJBR-16-12	1"	25	1.5/16" - 12	3/4" - 14	48,5	36,0	1.7/16"
AJBR-16-16	1"	25	1.5/16" - 12	1" - 11	54,0	46,0	1.13/16"
AJBR-20-12	1.1/4"	28/30/32	1.5/8" - 12	3/4" - 14	51,0	46,0	1.13/16"
AJBR-20-16	1.1/4"	28/30/32	1.5/8" - 12	1" - 11	55,0	46,0	1.13/16"
AJBR-20-20	1.1/4"	28/30/32	1.5/8" - 12	1.1/4" - 11	57,0	50,0	2"

Adaptors

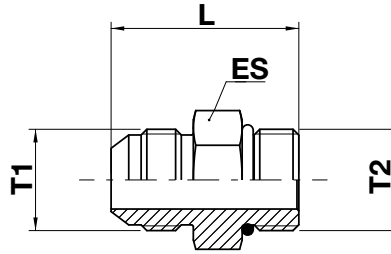
← **AJBR**

DRAFT

code	ø hose		thread		L	ES	
	inch	dn	T1	T2	mm	mm	↻ in
AJBR-24-20	1.1/2"	35/38	1.7/8 - 12	1.1/4" - 11	61,0	55,0	2.3/16"
AJBR-24-24	1.1/2"	35/38	1.7/8 - 12	1.1/2" - 11	61,5	55,0	2.3/16"
AJBR-32-24	2"	51	2.1/2" - 12	1.1/2" - 11	69,1	65,0	2.9/16"
AJBR-32-32	2"	51	2.1/2" - 12	2" - 11	75,0	70,0	2.3/4"

JIC
ORFS
BSP
NPTF
OTHERS

←

Male stud connector - JIC 37° end / male UN/UNF thread - O-ring (ISO 11926)**JIC**

ORFS

BSP

NPTF

OTHERS

code	ø hose		thread		L mm	ES	
	inch	dn	T1	T2		mm	in
AJE-04-04	1/4"	6	7/16" - 20	7/16" - 20	31,2	14,0	9/16"
AJE-04-05	1/4"	6	7/16" - 20	1/2" - 20	31,2	15,8	5/8"
AJE-04-06	1/4"	6	7/16" - 20	9/16"	32,8	17,0	11/16"
AJE-04-08	1/4"	6	7/16" - 20	3/4" - 16	34,8	22,0	7/8"
AJE-04-10	1/4"	6	7/16" - 20	7/8" - 14	37,9	27,0	1.1/16"
AJE-06-04	3/8"	10	9/16" - 18	7/16" - 20	32,3	17,0	11/16"
AJE-06-06	3/8"	10	9/16" - 18	9/16" - 18	33,0	17,0	11/16"
AJE-06-08	3/8"	10	9/16" - 18	3/4" - 16	35,0	22,0	7/8"
AJE-06-10	3/8"	10	9/16" - 18	7/8" - 14	38,1	27,0	1.1/16"
AJE-08-04	1/2"	12	3/4" - 16	7/16" - 20	38,0	22,0	7/8"
AJE-08-06	1/2"	12	3/4" - 16	9/16" - 18	36,6	22,0	7/8"
AJE-08-08	1/2"	12	3/4" - 16	3/4" - 16	37,6	22,0	7/8"
AJE-08-10	1/2"	12	3/4" - 16	7/8" - 14	40,6	27,0	1.1/16"
AJE-08-12	1/2"	12	3/4" - 16	1.1/16" - 12	44,7	31,7	1.1/4"
AJE-10-06	5/8"	14/15/16	7/8" - 14	9/16" - 18	41,5	24,0	15/16"
AJE-10-08	5/8"	14/15/16	7/8" - 14	3/4" - 16	41,7	24,0	15/16"
AJE-10-10	5/8"	14/15/16	7/8" - 14	7/8" - 14	43,2	27,0	1.1/16"
AJE-10-12	5/8"	14/15/16	7/8" - 14	1.1/16" - 12	47,2	31,7	1.1/4"
AJE-10-16	5/8"	14/15/16	7/8" - 14	1.5/16" - 12	48,0	41,0	1.5/8"

← AJE

DRAFT

code	ø hose		thread		L	ES	
	inch	dn	T1	T2	mm	mm	↻ in
AJE-12-08	3/4"	18/20	1.1/16" - 12	3/4" - 16	49,3	27,0	1.1/16"
AJE-12-10	3/4"	18/20	1.1/16" - 12	7/8" - 14	47,8	30,0	1.3/16"
AJE-12-12	3/4"	18/20	1.1/16" - 12	1.1/16" - 12	50,0	31,7	1.1/4"
AJE-12-16	3/4"	18/20	1.1/16" - 12	1.5/16" - 12	50,6	41,0	1.5/8"
AJE-12-20	3/4"	18/20	1.1/16" - 12	1.5/8" - 12	52,8	50,0	2"
AJE-16-08	1"	25	1.5/16" - 12	3/4" - 16	51,0	36,0	1.7/16"
AJE-16-12	1"	25	1.5/16" - 12	1.1/16" - 12	51,8	36,0	1.7/16"
AJE-16-16	1"	25	1.5/16" - 12	1.5/16" - 12	51,8	41,0	1.5/8"
AJE-16-20	1"	25	1.5/16" - 12	1.5/8" - 12	53,9	50,0	2"
AJE-16-24	1"	25	1.5/16" - 12	1.7/8" - 12	56,4	55,0	2.3/16"
AJE-20-16	1.1/4"	28/30/32	1.5/8" - 12	1.5/16" - 12	59,2	46,0	1.13/16"
AJE-20-20	1.1/4"	28/30/32	1.5/8" - 12	1.5/8" - 12	55,1	50,0	2"
AJE-24-20	1.1/2"	35/38	1.7/8" - 12	1.5/8" - 12	64,0	50,0	2"
AJE-24-24	1.1/2"	35/38	1.7/8" - 12	1.7/8" - 12	60,2	55,0	2.3/16"

JIC
ORFS
BSP
NPTF
OTHERS

←

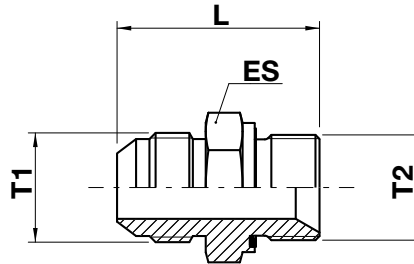
Male stud connector - JIC 37° end / male metric thread - ED seal (ISO 9974-2)**JIC**

ORFS

BSP

NPTF

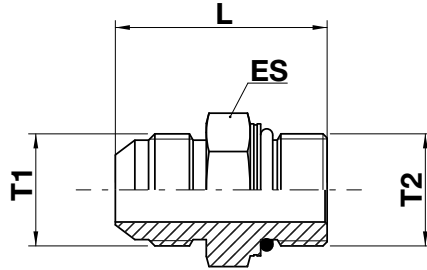
OTHERS



code	ø hose		thread		L mm	ES	
	inch	dn	T1	T2		mm	in
AJM-04-12	1/4"	6	7/16" - 20	M12 x 1,5	34,0	17,0	11/16"
AJM-06-12	3/8"	10	9/16" - 18	M12 x 1,5	34,5	17,0	11/16"
AJM-06-14	3/8"	10	9/16" - 18	M14 x 1,5	33,0	19,0	3/4"
AJM-06-16	3/8"	10	9/16" - 18	M16 x 1,5	36,5	22,0	7/8"
AJM-06-22	3/8"	10	9/16" - 18	M22 x 1,5	38,2	27,0	1.1/16"
AJM-08-14	1/2"	12	3/4" - 16	M14 x 1,5	38,5	22,0	7/8"
AJM-08-16	1/2"	12	3/4" - 16	M16 x 1,5	37,7	22,0	7/8"
AJM-08-18	1/2"	12	3/4" - 16	M18 x 1,5	39,0	24,0	15/16"
AJM-10-18	5/8"	14/15/16	7/8" - 14	M18 x 1,5	41,5	24,0	15/16"
AJM-10-22	5/8"	14/15/16	7/8" - 14	M22 x 1,5	43,5	27,0	1.1/16"
AJM-12-22	3/4"	18/20	1.1/16"	M22 x 1,5	46,5	27,0	1.1/16"
AJM-12-26	3/4"	18/20	1.1/16"	M26 x 1,5	50,0	32,0	1.1/4"
AJM-16-26	1"	25	1.5/16"	M26 x 1,5	50,0	36,0	1.7/16"
AJM-16-33	1"	25	1.5/16"	M33 x 2	51,5	41,0	1.5/8"
AJM-20-42	1.1/4"	28/30/32	1.5/8" - 12	M42 x 2	59,5	50,0	2"
AJM-24-48	1.1/2"	35/38	1.7/8" - 12	M48 x 2	67,0	55,0	2.3/16"

AJM1

Male stud connector - JIC 37° end / male metric thread - O-ring (ISO 6149)

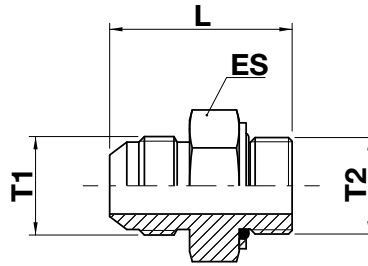


JIC
ORFS
BSP
NPTF
OTHERS

code	ø hose		thread		L mm	ES	
	inch	dn	T1	T2		mm	in
AJM1-04-10	1/4"	6	7/16" - 20	M10 x 1	30,0	14,0	9/16"
AJM1-06-12	3/8"	10	9/16" - 18	M12 x 1,5	34,0	17,0	11/16"
AJM1-06-14	3/8"	10	9/16" - 18	M14 x 1,5	35,0	19,0	3/4"
AJM1-06-16	3/8"	10	9/16" - 18	M16 x 1,5	35,1	22,0	7/8"
AJM1-08-14	1/2"	12	3/4" - 16	M14 x 1,5	37,0	19,0	3/4"
AJM1-08-16	1/2"	12	3/4" - 16	M16 x 1,5	38,0	22,0	7/8"
AJM1-08-22	1/2"	12	3/4" - 16	M22 x 1,5	41,5	27,0	1.1/16"
AJM1-10-22	5/8"	14/15/16	7/8" - 14	M22 x 1,5	43,0	27,0	1.1/16"
AJM1-12-27	3/4"	18/20	1.1/16" - 12	M27 x 2	52,0	32,0	1.1/4"
AJM1-16-33	1"	25	1.5/16" - 12	M33 x 2	53,0	41,0	1.5/8"
AJM1-20-42	1.1/4"	28/30/32	1.5/8" - 12	M42 x 2	58,0	50,0	2"
AJM1-24-48	1.1/2"	35/38	1.7/8" - 12	M48 x 2	60,0	55,0	2.3/16"

AJMR

Male stud connector - JIC 37° end / male metric thread - O-ring + retaining ring



JIC

ORFS

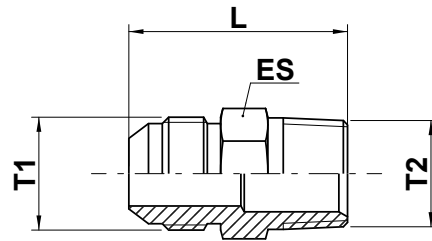
BSP

NPTF

OTHERS

code	ø hose		thread		L mm	ES	
	inch	dn	T1	T2		mm	in
AJMR-04-10	1/4"	6	7/16" - 20	M10 x 1	30,0	14,0	9/16"
AJMR-06-12	3/8"	10	9/16" - 18	M12 x 1,5	32,0	17,0	11/16"
AJMR-06-14	3/8"	10	9/16" - 18	M14 x 1,5	33,5	19,0	3/4"
AJMR-06-16	3/8"	10	9/16" - 18	M16 x 1,5	36,0	22,0	7/8"
AJMR-06-18	3/8"	10	9/16" - 18	M18 x 1,5	37,0	24,0	15/16"
AJMR-08-14	1/2"	12	3/4" - 16	M14 x 1,5	37,5	22,0	7/8"
AJMR-08-16	1/2"	12	3/4" - 16	M16 x 1,5	38,0	22,0	7/8"
AJMR-08-18	1/2"	12	3/4" - 16	M18 x 1,5	39,5	24,0	15/16"
AJMR-12-18	3/4"	18/20	1.1/16" - 12	M18 x 1,5	47,5	27,0	1.1/16"
AJMR-12-20	3/4"	18/20	1.1/16" - 12	M20 x 1,5	45,5	27,0	1.1/16"
AJMR-12-27	3/4"	18/20	1.1/16" - 12	M27 x 2	51,0	32,0	1.1/4"
AJMR-16-33	1"	25	1.5/16" - 12	M33 x 2	53,0	41,0	1.5/8"
AJMR-20-42	1.1/4"	28/30/32	1.5/8" - 12	M42 x 2	58,0	50,0	2"
AJMR-24-48	1.1/2"	35/38	1.7/8" - 12	M48 x 2	65,5	55,0	2.3/16"

DRAFT →

Male stud connector - JIC 37° end / male NPTF thread

JIC
ORFS
BSP
NPTF
OTHERS

code	ø hose		thread		L mm	ES	
	inch	dn	T1	T2		mm	↻ in
AJN-04-02	1/4"	6	7/16" - 20	1/8" - 27	31,0	14,0	9/16"
AJN-04-04	1/4"	6	7/16" - 20	1/4" - 18	36,1	14,0	9/16"
AJN-04-06	1/4"	6	7/16" - 20	3/8" - 18	36,1	19,0	3/4"
AJN-04-08	1/4"	6	7/16" - 20	1/2" - 14	42,7	22,0	7/8"
AJN-05-04	5/16"	8	1/2" - 20	1/4" - 18	36,1	14,0	9/16"
AJN-06-02	3/8"	10	9/16" - 18	1/8" - 27	31,5	17,0	11/16"
AJN-06-04	3/8"	10	9/16" - 18	1/4" - 18	36,3	17,0	11/16"
AJN-06-06	3/8"	10	9/16" - 18	3/8" - 18	36,3	19,0	3/4"
AJN-06-08	3/8"	10	9/16" - 18	1/2" - 14	43,0	22,0	7/8"
AJN-08-04	1/2"	12	3/4" - 16	1/4" - 18	38,3	22,0	7/8"
AJN-08-06	1/2"	12	3/4" - 16	3/8" - 18	38,9	22,0	7/8"
AJN-08-08	1/2"	12	3/4" - 16	1/2" - 14	45,5	22,0	7/8"
AJN-08-12	1/2"	12	3/4" - 16	3/4" - 14	47,0	27,0	1.1/16"
AJN-10-06	5/8"	14/15/16	7/8" - 14	3/8" - 18	43,2	24,0	15/16"
AJN-10-08	5/8"	14/15/16	7/8" - 14	1/2" - 14	48,0	24,0	15/16"
AJN-10-12	5/8"	14/15/16	7/8" - 14	3/4" - 14	49,5	27,0	1.1/16"
AJN-12-06	3/4"	18/20	1.1/16" - 12	3/8" - 18	47,5	29,0	1,1/8"
AJN-12-08	3/4"	18/20	1.1/16" - 12	1/2" - 14	52,3	27,0	1.1/16"
AJN-12-12	3/4"	18/20	1.1/16" - 12	3/4" - 14	52,3	27,0	1.1/16"

→

Adaptors

← **AJN**

DRAFT

JIC

ORFS

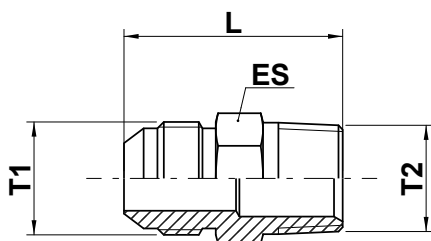
BSP

NPTF

OTHERS

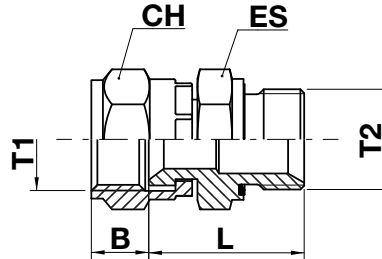
code	ø hose		thread		L	ES	
	inch	dn	T1	T2	mm	mm	↻ in
AJN-12-16	3/4"	18/20	1.1/16" - 12	1" - 11.1/2	57,2	36,0	1.7/16"
AJN-16-12	1"	25	1.1/16" - 12	3/4" - 14	53,6	36,0	1.7/16"
AJN-16-16	1"	25	1.1/16" - 12	1" - 11.1/2	58,4	36,0	1.7/16"
AJN-20-16	1.1/4"	28/30/32	1.5/8" - 12	1" - 11.1/2	61,5	46,0	1.13/16"
AJN-20-20	1.1/4"	28/30/32	1.5/8" - 12	1.1/4" - 11.1/2	62,2	46,0	1.13/16"
AJN-24-20	1.1/2"	35/38	1.7/8" - 12	1.1/4" - 11.1/2	67,0	50,0	2"
AJN-24-24	1.1/2"	35/38	1.7/8" - 12	1.1/2" - 11.1/2	68,0	50,0	2"
AJN-24-32	1.1/2"	35/38	1.7/8" - 12	2" - 11.1/2	72,6	65,0	2.9/16"
AJN-32-32	2"	51	2.1/2" - 12	2" - 11.1/2	79,0	65,0	2.9/16"

←

Male stud connector - JIC 37° end / male BSPT thread

JIC
ORFS
BSP
NPTF
OTHERS

code	ø hose		thread		L mm	ES	
	inch	dn	T1	T2		mm	in
AJT-04-02	1/4"	6	7/16" - 20	1/8" - 28	30,0	12,0	1/2"
AJT-04-04	1/4"	6	7/16" - 20	1/4" - 19	34,5	17,0	11/16"
AJT-06-06	3/8"	10	9/16" - 18	3/8" - 19	36,5	19,0	3/4"
AJT-08-08	1/2"	12	3/4" - 16	1/2" - 14	44,5	24,0	15/16"
AJT-12-12	3/4"	18/20	1.1/16" - 12	3/4" - 14	51,0	30,0	1.3/16"
AJT-16-16	1"	25	1.5/16" - 12	1" - 11	59,0	36,0	1.7/16"
AJT-20-20	1.1/4"	28/30/32	1.5/8" - 12	1.1/4" - 11	63,0	46,0	1.13/16"

JIC 37° female swivel end / male BSPP end - ED seal (ISO 1179-2)**JIC**

ORFS

BSP

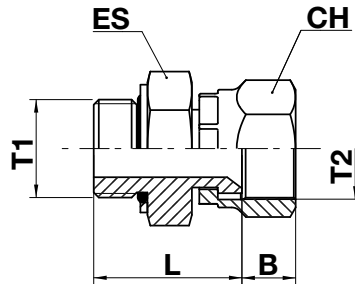
NPTF

OTHERS

code	ø hose		T1	T2	L	B	ES		CH	
	inch	dn					mm	mm	mm	↻ in
GJB-04-02	1/4"	6	7/16" -20	1/8" -28	24,5	8,7	14,0	9/16"	14,0	9/16"
GJB-04-04	1/4"	6	7/16" -20	1/4" - 19	29,0	8,7	19,0	3/4"	14,0	9/16"
GJB-06-04	3/8"	10	9/16" - 18	1/4" - 19	30,0	9,5	19,0	3/4"	19,0	3/4"
GJB-06-06	3/8"	10	9/16" - 18	3/8" - 19	31,0	10,0	22,0	7/8"	19,0	3/4"
GJB-08-04	1/2"	12	3/4" - 16	1/4" - 19	32,5	10,7	19,0	3/4"	22,0	7/8"
GJB-08-06	1/2"	12	3/4" - 16	3/8" - 19	33,0	10,7	22,0	7/8"	22,0	7/8"
GJB-08-08	1/2"	12	3/4" - 16	1/2" - 14	37,0	10,7	27,0	1.1/16"	22,0	7/8"
GJB-08-10	1/2"	12	5/8" - 14	3/4" - 16	37,0	10,8	30,0	1.3/16"	22,0	7/8"
GJB-10-06	5/8"	14/15/16	7/8" - 14	3/8" - 19	34,0	12,8	22,0	7/8"	27,0	1.1/16"
GJB-10-08	5/8"	14/15/16	7/8" - 14	1/2" - 14	36,5	12,5	27,0	1.1/16"	27,0	1.1/16"
GJB-12-08	3/4"	18/20	1.1/16" - 12	1/2" - 14	40,0	14,3	27,0	1.1/16"	32,0	1.1/4"
GJB-12-12	3/4"	18/20	1.1/16" - 12	3/4" - 14	42,0	14,3	32,0	1.1/4"	32,0	1.1/4"
GJB-12-16	3/4"	18/20	1.1/16" - 12	1" - 11	44,5	14,3	41,0	1.5/8"	32,0	1.1/4"
GJB-16-12	1"	25	1.5/16" - 12	3/4" - 14	44,0	15,1	32,0	1.1/4"	38,0	1.1/2"
GJB-16-16	1"	25	1.5/16" - 12	1" - 11	46,0	15,1	41,0	1.5/8"	38,0	1.1/2"
GJB-20-16	1.1/4"	28/30/32	1.5/8" - 12	1" - 11	50,0	15,9	41,0	1.5/8"	50,0	2"
GJB-20-20	1.1/4"	28/30/32	1.5/8" - 12	1.1/4" - 11	52,0	15,9	50,0	2"	50,0	2"
GJB-24-24	1.1/2"	35/38	1.7/8" - 12	1.1/2" - 11	58,0	18,6	55,0	2.3/16"	60,0	2.3/8"

GJBR

JIC 37° female swivel end / male BSPP thread - O-ring + retaining ring (ISO 1179-3)

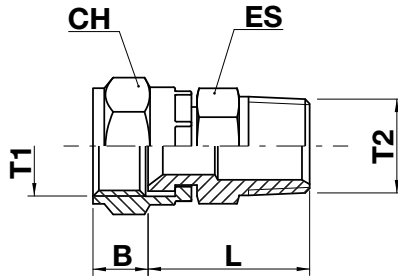


JIC
ORFS
BSP
NPTF
OTHERS

code	ø hose		T1	T2	L	B	ES		CH	
	inch	dn					mm	↻ in	mm	↻ in
GJBR-06-06	3/8"	10	9/16" - 18	3/8" - 19	32,0	9,5	22,0	7/8"	19,0	3/4"
GJBR-06-08	3/8"	10	9/16" - 18	1/2" - 14	33,0	9,5	27,0	1.1/16"	19,0	3/4"
GJBR-08-08	1/2"	12	3/4" - 16	1/2" - 14	36,6	10,7	27,0	1.1/16"	22,0	7/8"
GJBR-10-08	5/8"	14/15/16	7/8" - 14	1/2" - 14	37,0	12,7	27,0	1.1/16"	27,0	1.1/16"
GJBR-12-08	3/4"	18/20	1.1/16" - 12	1/2" - 14	38,5	14,5	30,0	1.3/16"	32,0	1.1/4"
GJBR-12-12	3/4"	20	1.1/16" - 12	3/4" - 14	39,5	14,5	36,0	1.7/16"	32,0	1.1/4"
GJBR-16-16	1"	25	1.5/16" - 12	1" - 11	43,2	43,2	46,0	1.13/16"	41,0	1.5/8"
GJBR-24-24	1.1/2"	35/38	1.7/8" - 12	1.1/2" - 11	51,0	18,6	55,0	2.3/16"	60,0	2.3/8"

GJN

JIC 37° female swivel end / male NPT end



JIC

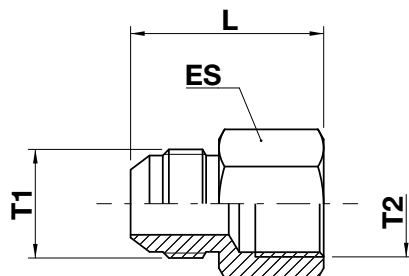
ORFS

BSP

NPTF

OTHERS

code	ø hose		T1	T2	L	B	ES		CH	
	inch	dn					mm	mm	mm	↻ in
GJN-04-04	1/4"	6	7/16" -20	1/4" - 18	30,0	8,7	14,0	9/16"	14,0	9/16"
GJN-04-06	1/4"	6	7/16" -20	3/8" - 18	30,0	8,7	19,0	3/4"	14,0	9/16"
GJN-06-04	3/8"	10	9/16" - 18	1/4" - 18	33,0	9,5	14,0	9/16"	19,0	3/4"
GJN-06-06	3/8"	10	9/16" - 18	3/8" - 18	32,1	9,7	19,0	3/4"	19,0	3/4"
GJN-08-06	1/2"	12	3/4" - 16	3/8" - 18	33,4	10,8	22,0	7/8"	22,0	7/8"
GJN-08-08	1/2"	12	3/4" - 16	1/2" - 14	39,6	10,8	22,0	7/8"	22,0	7/8"
GJN-10-08	5/8"	14/15/16	7/8" - 14	1/2" - 14	40,7	12,7	24,0	15/16"	-	-
GJN-12-12	3/4"	18/20	1.1/16" - 12	3/4" - 14	43,6	14,3	27,0	1.1/16"	32,0	1.1/4"
GJN-16-16	1"	25	1.5/16" - 12	1" - 11.1/2	50,0	15,5	36,0	1.7/16"	41,0	1.5/8"
GJN-20-20	1.1/4"	28/30/32	1.5/8" - 12	1.1/4" - 11.1/2	53,5	15,9	46,0	1.13/16"	50,0	2"
GJN-24-24	1.1/2"	35/38	1.7/8" - 12	1.1/2" - 11.1/2	58,0	18,6	60,0	2.3/8"	60,0	2.3/8"

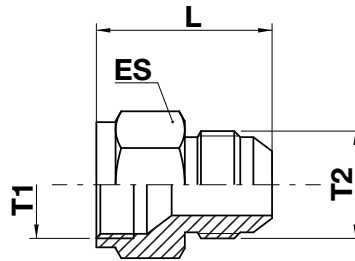
Female connector - male JIC 37° end / female BSPP end

JIC
ORFS
BSP
NPTF
OTHERS

code	ø hose		thread		L mm	ES	
	inch	dn	T1	T2		mm	in
DJB-04-02	1/4"	6	7/16" - 20	1/8" - 28	29,5	14,0	9/16"
DJB-04-04	1/4"	6	7/16" - 20	1/4" - 19	34,0	19,0	3/4"
DJB-06-04	3/8"	10	9/16" - 18	1/4" - 19	35,5	19,0	3/4"
DJB-06-06	3/8"	10	9/16" - 18	3/8" - 19	34,0	22,0	7/8"
DJB-06-08	3/8"	10	9/16" - 18	1/2" - 14	38,0	27,0	1.1/16"
DJB-08-06	1/2"	12	3/4" - 16	3/8" - 19	36,5	22,0	7/8"
DJB-08-08	1/2"	12	3/4" - 16	1/2" - 14	40,8	27,0	1.1/16"
DJB-10-10	5/8"	14/15/16	7/8" - 14	5/8" - 14	48,0	32,0	1.1/4"
DJB-12-12	3/4"	18/20	1.1/16" - 12	3/4" - 14	48,0	32,0	1.1/4"
DJB-16-16	1"	25	1.5/16" - 12	1" - 11	55,0	41,0	1.5/8"
DJB-20-20	1.1/4"	28/30/32	1.5/8" - 12	1.1/4" - 12	63,0	50,0	2"
DJB-24-24	1.1/2"	35/38	1.7/8" - 12	1.1/2" - 11	65,5	55,0	2.3/16"

DJJA

Reducer - JIC 37° fixed female end / JIC 37° male end - type A



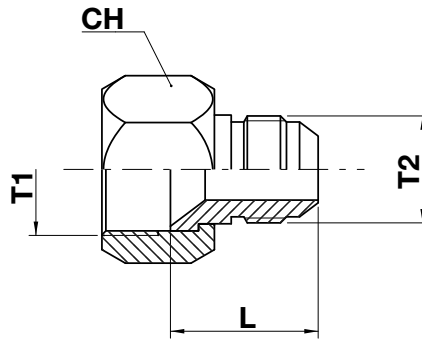
JIC

ORFS
BSP
NPTF
OTHERS

code	ø hose		thread		L mm	ES	
	inch	dn	T1	T2		mm	in
DJJA-06-05	5/16"	8	9/16" - 18	1/2" - 20	30,0	17,0	11/16"
DJJA-10-08	1/2"	12	7/8" - 14	3/4" - 16	38,0	27,0	1.1/16"
DJJA-12-10	5/8"	14/15/16	1.1/16" - 12	7/8" - 14	42,5	32,0	1.1/4"

DJJB

Reducer - JIC 37° swivel female end / JIC 37° male end - type B



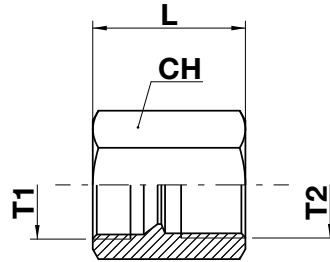
JIC
ORFS
BSP
NPTF
OTHERS

code	ø hose		thread		L mm	CH	
	inch	dn	T1	T2		mm	in
DJJB-06-04	1/4"	6	9/16" - 18	7/16" - 20	24,5	19,0	3/4"
DJJB-08-04	1/4"	6	3/4" - 16	7/16" - 20	25,4	22,0	7/8"
DJJB-08-06	3/8"	10	3/4" - 16	9/16" - 18	25,4	22,0	7/8"
DJJB-10-04	1/4"	6	7/8" - 14	7/16" - 20	26,2	27,0	1.1/16"
DJJB-10-06	3/8"	10	7/8" - 14	9/16" - 18	26,2	27,0	1.1/16"
DJJB-12-04	1/4"	6	1.1/16" - 12	7/16" - 20	27,7	32,0	1.1/4"
DJJB-12-06	3/8"	10	1.1/16" - 12	9/16" - 18	27,7	32,0	1.1/4"
DJJB-12-08	1/2"	12	1.1/16" - 12	3/4" - 16	30,4	32,0	1.1/4"
DJJB-16-06	3/8"	10	1.5/16" - 12	9/16" - 18	30,0	41,0	1.5/8"
DJJB-16-08	1/2"	12	1.5/16" - 12	3/4" - 16	32,5	41,0	1.5/8"
DJJB-16-10	5/8"	14/15/16	1.5/16" - 12	7/8" - 14	34,6	41,0	1.5/8"
DJJB-16-12	3/4"	18/20	1.5/16" - 12	1.1/16" - 12	37,3	41,0	1.5/8"
DJJB-20-12	3/4"	18/20	1.5/8" - 12	1.1/16" - 12	41,0	50,0	2"
DJJB-20-16	1"	25	1.5/8" - 12	1.5/16" - 12	42,2	50,0	2"
DJJB-24-12	3/4"	18/20	1.7/8" - 12	1.1/16" - 12	45,7	60,0	2.3/8"
DJJB-24-16	1"	25	1.7/8" - 12	1.5/16" - 12	47,0	60,0	2.3/8"
DJJB-24-20	1,1/4"	28/30/32	1.7/8" - 12	1.5/8" - 12	47,0	60,0	2.3/8"
DJJB-32-24	1,1/2"	38	2.1/2" - 12	1.7/8" - 12	52,0	75,0	2.15/16"

For disassembled parts please use reference DJJV-... for the adaptor, and DJICV-...00 for the matching nut

UJTB

Test point connector - JIC 37° fixed female end / fixed BSPP female end



JIC

ORFS

BSP

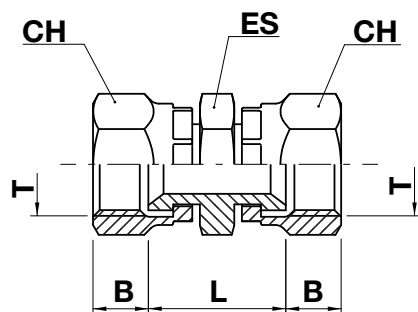
NPTF

OTHERS

code	ø hose		thread		L mm	CH	
	inch	dn	T1	T2		mm	in
UJTB-04-04	1/4"	6	7/16" - 20	1/4" - 19	29,0	19,0	3/4"
UJTB-06-04	3/8"	10	9/16" - 18	1/4" - 19	29,0	19,0	3/4"
UJTB-08-04	1/2"	12	3/4" - 16	1/4" - 19	32,0	22,0	7/8"
UJTB-10-04	5/8"	14/15/16	7/8" - 14	1/4" - 19	32,0	27,0	1.1/16"
UJTB-12-04	3/4"	18/20	1.1/16" - 12	1/4" - 19	38,0	32,0	1.1/4"
UJTB-16-04	1"	25	1.5/16" - 12	1/4" - 19	40,0	41,0	1.5/8"
UJTB-20-04	1.1/4"	28/30/32	1.5/8" - 12	1/4" - 19	42,0	50,0	2"

FJJH

Union JIC 37° female swivel nut



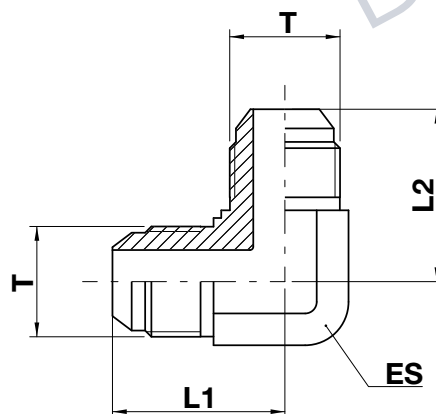
JIC
ORFS
BSP
NPTF
OTHERS

code	ø hose		thread	L	B	ES		CH	
	inch	dn	T	mm	mm	mm	↗ in	mm	↗ in
FJJH-04-04	1/4"	6	7/16" - 20	23,9	8,7	14,0	9/16"	14,0	9/16"
FJJH-06-06	3/8"	10	9/16" - 18	27,2	9,5	16,0	9/16"	19,0	3/4"
FJJH-08-08	1/2"	12	3/4" - 16	31,0	10,7	22,0	7/8"	22,0	7/8"
FJJH-10-10	5/8"	14/15/16	7/8" - 14	34,5	12,7	24,0	15/16"	27,0	1.1/16"
FJJH-12-12	3/4"	18/20	1.1/16" - 12	36,0	14,2	32,0	1.1/4"	32,0	1.1/4"
FJJH-16-16	1"	25	1.5/16" - 12	39,6	15,0	41,0	1.5/8"	41,0	1.5/8"

LAJJ

90° union elbow - JIC male 37° ends

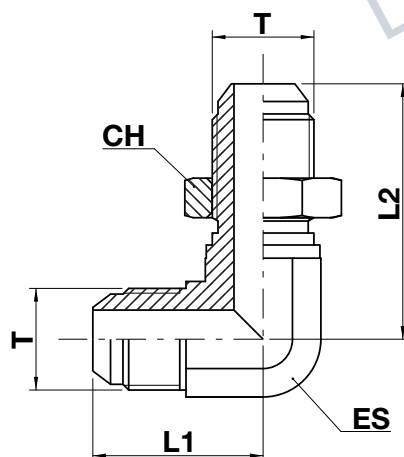
JIC
ORFS
BSP
NPTF
OTHERS



code	ø hose		thread	L1	L2	ES	
	inch	dn	T	mm	mm	mm	in
LAJJ-04-04	1/4"	6	7/16"-20	22,6	22,6	11,0	7/16"
LAJJ-06-06	3/8"	10	9/16" - 18	26,9	26,9	14,0	9/16"
LAJJ-08-08	1/2"	12	3/4" - 16	31,8	31,8	19,0	3/4"
LAJJ-10-10	5/8"	14/15/16	7/8" - 14	36,8	36,8	22,0	7/8"
LAJJ-12-12	3/4"	18/20	1.1/16" - 12	42,2	42,2	27,0	1.1/16"
LAJJ-16-16	1"	25	1.5/16"	46,0	46,0	33,0	1.1/4"
LAJJ-20-20	1.1/4"	28/30/32	1.5/8"-12	52,3	52,3	41,0	1.5/8"

LAJJP

90° bulkhead union elbow - JIC male 37° ends (complete with locknut)

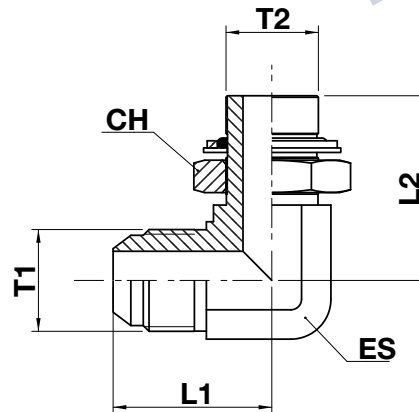


JIC
ORFS
BSP
NPTF
OTHERS

code	ø hose		thread	L1	L2	ES		CH	
	inch	dn	T	mm	mm	mm	↗ in	mm	↗ in
LAJJP-04-04	1/4"	6	7/16"-20	24,6	43,0	11,0	7/16"	17,0	11/16"
LAJJP-06-06	3/8"	10	9/16" - 18	27,7	46,0	14,0	9/16"	22,0	7/8"
LAJJP-08-08	1/2"	12	3/4" - 16	34,5	53,5	19,0	3/4"	24,0	15/16"
LAJJP-10-10	5/8"	14/15/16	7/8" - 14	39,6	60,7	22,0	7/8"	30,0	1.3/16"
LAJJP-12-12	3/4"	18/20	1.1/16" - 12	45,2	67,8	27,0	1.1/16"	36,0	1.7/16"
LAJJP-16-16	1"	25	1.5/16"	49,3	71,1	33,0	1.1/4"	41,0	1.5/8"
LAJJP-20-20	1.1/4"	28/30/32	1.5/8" - 12	55,1	79,2	41,0	1.5/8"	50,0	2"

LAJBR

90° male stud elbow - JIC 37° end / adjustable BSPP end O-ring + retaining ring (ISO 1179-3)



JIC

ORFS
BSP
NPTF
OTHERS

code	ø hose		thread		L1	L2	ES		CH	
	inch	dn	T1	T2			mm	↗ in	mm	↗ in
LAJBR-04-02	1/4"	6	7/16" - 20	1/8" - 28	22,6	26,5	11,0	7/16"	14,0	9/16"
LAJBR-04-04	1/4"	6	7/16" - 20	1/4" - 19	27,0	31,8	14,0	9/16"	19,0	3/4"
LAJBR-04-06	1/4"	6	7/16" - 20	3/8" - 19	28,5	36,8	19,0	3/4"	22,0	7/8"
LAJBR-05-04	5/16"	8	1/2" - 20	1/4" - 19	27,0	31,0	14,0	9/16"	19,0	3/4"
LAJBR-06-04	3/8"	10	9/16" - 18	1/4" - 19	27,0	31,8	14,0	9/16"	19,0	3/4"
LAJBR-06-06	3/8"	10	9/16" - 18	3/8" - 19	29,0	36,8	19,0	3/4"	22,0	7/8"
LAJBR-06-08	3/8"	10	9/16" - 18	1/2" - 14	31,0	43,0	22,0	7/8"	27,0	1.1/16"
LAJBR-08-04	1/2"	12	3/4" - 16	1/4" - 19	31,8	33,5	19,0	3/4"	19,0	3/4"
LAJBR-08-06	1/2"	12	3/4" - 16	3/8" - 19	31,8	36,8	19,0	3/4"	22,0	7/8"
LAJBR-08-08	1/2"	12	3/4" - 16	1/2" - 14	33,8	43,2	22,0	7/8"	27,0	1.1/16"
LAJBR-08-12	1/2"	12	3/4" - 16	3/4" - 14	36,0	50,0	27,0	1.1/16"	36,0	1.7/16"
LAJBR-10-06	5/8"	14/15/16	7/8" - 14	3/8" - 19	36,5	39,5	22,0	7/8"	22,0	7/8"
LAJBR-10-08	5/8"	14/15/16	7/8" - 14	1/2" - 14	36,8	43,2	22,0	7/8"	27,0	1.1/16"
LAJBR-10-12	5/8"	14/15/16	7/8" - 14	3/4" - 14	39,5	49,3	27,0	1.1/16"	32,0	1.1/4"
LAJBR-12-08	3/4"	18/20	1.1/16" - 12	1/2" - 14	42,2	45,5	27,0	1.1/16"	27,0	1.1/16"
LAJBR-12-12	3/4"	18/20	1.1/16" - 12	3/4" - 14	42,2	49,3	27,0	1.1/16"	36,0	1.7/16"
LAJBR-12-16	3/4"	18/20	1.1/16" - 12	1" - 11	44,5	52,0	33,0	1.1/4"	41,0	1.5/8"
LAJBR-16-12	1"	25	1.5/16" - 12	3/4" - 14	46,0	52,0	33,0	1.1/4"	36,0	1.7/16"
LAJBR-16-16	1"	25	1.5/16" - 12	1" - 11	46,0	52,0	33,0	1.1/4"	41,0	1.5/8"

← LAJBR

DRAFT

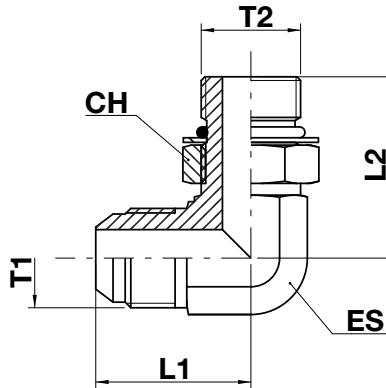
code	ø hose		thread		L1	L2	ES		CH	
	inch	dn	T1	T2	mm	mm	mm	↗ in	mm	↗ in
LAJBR-20-16	1.1/4"	28/30/32	1.5/8" - 12	1" - 11	52,3	57,2	41,0	1.5/8"	41,0	1.5/8"
LAJBR-20-20	1.1/4"	28/30/32	1.5/8" - 12	1.1/4" - 11	52,0	58,0	41,0	1.5/8"	50,0	2"
LAJBR-24-20	1.1/2"	35/38	1.7/8" - 12	1.1/4" - 11	59,0	61,0	48,0	1.7/8"	50,0	2"
LAJBR-24-24	1.1/2"	35/38	1.7/8" - 12	1.1/2" - 11	59,2	67,5	48,0	1.7/8"	55,0	2.3/16"

JIC
ORFS
BSP
NPTF
OTHERS

←

LAJE

90° male stud elbow - JIC 37° end / adjustable UN/UNF end - O-ring (ISO 11926)



JIC

ORFS

BSP

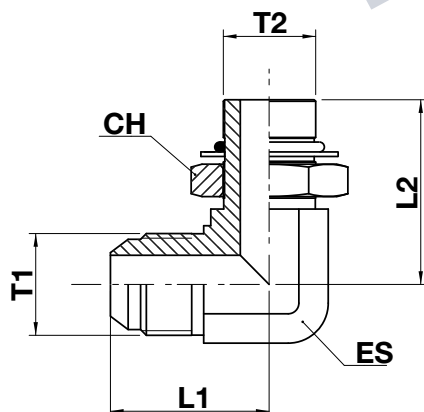
NPTF

OTHERS

code	ø hose		thread		L1	L2	ES		CH	
	inch	dn	T1	T2			mm	↗ in	mm	↗ in
LAJE-04-04	1/4"	6	7/16" - 20	7/16" - 20	22,6	26,2	11,0	7/16"	14,0	9/16"
LAJE-04-06	1/4"	6	7/16" - 20	9/16" - 18	27,0	32	14,0	9/16"	17,0	11/16"
LAJE-06-04	3/8"	10	9/16" - 18	7/16" - 20	27,0	30,0	14,0	9/16"	14,0	9/16"
LAJE-06-06	3/8"	10	9/16" - 18	9/16" - 18	26,9	31,8	14,0	9/16"	17,0	11/16"
LAJE-06-08	3/8"	10	9/16" - 18	3/4" - 16	28,9	36,8	19,0	3/4"	22,0	7/8"
LAJE-06-10	3/8"	10	9/16" - 18	7/8" - 14	31,0	43,2	22,0	7/8"	27,0	1.1/16"
LAJE-08-08	1/2"	12	3/4" - 16	3/4" - 16	31,8	36,8	19,0	3/4"	22,0	7/8"
LAJE-08-10	1/2"	12	3/4" - 16	7/8" - 14	33,8	43,2	22,0	7/8"	27,0	1.1/16"
LAJE-08-12	1/2"	12	3/4" - 16	1.1/16" - 12	36,0	49,3	27,0	1.1/16"	32,0	1.1/4"
LAJE-10-08	5/8"	14/15/16	7/8" - 14	3/4" - 16	36,8	39,1	22,0	7/8"	22,0	7/8"
LAJE-10-10	5/8"	14/15/16	7/8" - 14	7/8" - 14	36,8	43,2	22,0	7/8"	27,0	1.1/16"
LAJE-10-12	5/8"	14, 15, 16	7/8" - 14	1.1/16" - 12	39,1	49,3	27,0	1.1/16"	32,0	1.1/4"
LAJE-12-10	3/4"	18/20	1.1/16" - 12	7/8" - 14	42,2	45,2	27,0	1.1/16"	27,0	1.1/16"
LAJE-12-12	3/4"	18/20	1.1/16" - 12	1.1/16" - 12	42,2	49,3	27,0	1.1/16"	32,0	1.1/4"
LAJE-12-16	3/4"	18/20	1.1/16" - 12	1.5/16" - 12	44,7	52,1	33,0	1.1/4"	41,0	1.5/8"
LAJE-16-12	1"	25	1.5/16" - 12	1.1/16" - 12	46,0	52,0	33,0	1.1/4"	32,0	1.1/4"
LAJE-16-16	1"	25	1.5/16" - 12	1.5/16" - 12	46,0	52,1	33,0	1.1/4"	41,0	1.5/8"
LAJE-20-20	1.1/4"	28/30/32	1.5/8" - 12	1.5/8" - 12	52,3	57,2	41,0	1.5/8"	48,0	1.7/8"
LAJE-24-24	1.1/2"	35/38	1.7/8" - 12	1.7/8" - 12	59,0	60,5	48,0	1.7/8"	55,0	2.3/16"

LAJM1

90° male stud elbow - JIC 37° end / adjustable metric end - O-ring (ISO 6149)



JIC
ORFS
BSP
NPTF
OTHERS

code	ø hose		thread		L1	L2	ES		CH	
	inch	dn	T1	T2			mm	in	mm	in
LAJM1-04-12	1/4"	6	7/16" - 20	M12 x 1,5	24,1	32,0	14,0	9/16"	17,0	11/16"
LAJM1-06-16	3/8"	10	9/16" - 18	M16 x 1,5	29,0	36,4	19,0	3/4"	22,0	7/8"
LAJM1-08-18	1/2"	12	3/4" - 16	M18 x 1,5	31,8	36,8	19,0	3/4"	24,0	15/16"
LAJM1-10-22	5/8"	14/15/16	7/8" - 14	M22 x 1,5	36,8	41,7	22,0	7/8"	27,0	1.1/16"
LAJM1-12-27	3/4"	18/20	1.1/16" - 12	M27 x 2	42,0	50,0	27,0	1.1/16"	32,0	1.1/4"
LAJM1-16-33	1"	25	1.5/16" - 12	M33 x 2	46,0	53,0	33,0	1.1/4"	41,0	1.5/8"
LAJM1-20-42	1.1/4"	28/30/32	1.5/8" - 12	M42 x 2	43,2	58,0	41,0	1.5/8"	50,0	2"

LAJMR

90° male stud elbow - JIC male 37° end / male metric end - O-ring + retaining ring

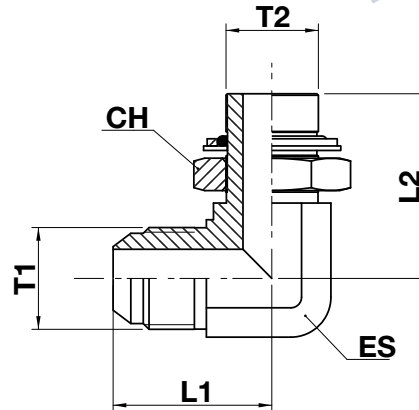
JIC

ORFS

BSP

NPTF

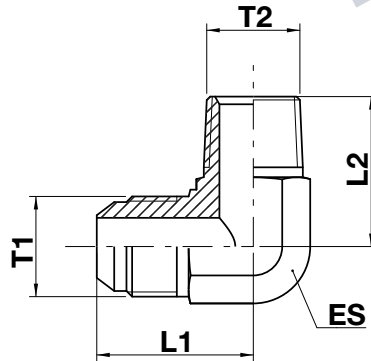
OTHERS



code	ø hose		thread		L1	L2	ES		CH	
	inch	dn	T1	T2			mm	in	mm	in
LAJMR-04-12	1/4"	6	7/16" - 20	M12 x 1,5	24,1	32,0	14,0	9/16"	17,0	11/16"
LAJMR-06-12	3/8"	10	9/16" - 18	M12 x 1,5	27,0	32,0	14,0	9/16"	17,0	11/16"
LAJMR-06-14	3/8"	10	9/16" - 18	M14 x 1,5	26,9	32,5	14,0	9/16"	19,0	3/4"
LAJMR-08-16	1/2"	12	3/4" - 16	M16 x 1,5	31,8	36,4	19,0	3/4"	22,0	7/8"
LAJMR-08-18	1/2"	12	3/4" - 16	M18 x 1,5	31,8	36,8	19,0	3/4"	24,0	15/16"
LAJMR-10-18	5/8"	14/15/16	7/8" - 14	M18 x 1,5	36,8	41,5	22,0	7/8"	24,0	15/16"
LAJMR-10-22	5/8"	14/15/16	7/8" - 14	M22 x 1,5	36,5	43,0	22,0	7/8"	27,0	1.1/16"
LAJMR-12-24	3/4"	18/20	1.1/16" - 12	M24 x 1,5	42,0	45,5	27,0	1.1/16"	32,0	1.1/4"
LAJMR-16-33	1"	25	1.5/16" - 12	M33 x 2	46,0	53,0	33,0	1.1/4"	32,0	1.1/4"
LAJMR-20-42	1.1/4"	28/30/32	1.5/8" - 12	M42 x 2	52,3	58,0	41,0	1.5/8"	50,0	2"
LAJMR-24-48	1.1/2"	35/38	1.7/8" - 12	M48 x 2	59,2	61,0	48,0	1.7/8"	55,0	2.3/16"

LAJN

90° male stud elbow - JIC 37° end / male NPTF end

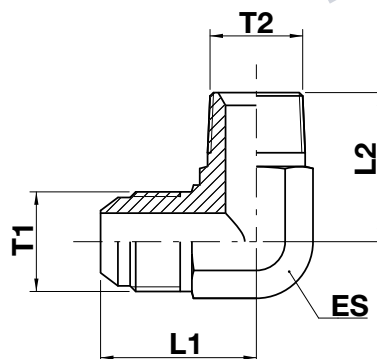


JIC
ORFS
BSP
NPTF
OTHERS

code	ø hose		thread		L1 mm	L2 mm	ES	
	inch	dn	T1	T2			mm	↻ in
LAJN-04-02	1/4"	6	7/16" - 20	1/8" - 27	22,6	19,8	11,0	7/16"
LAJN-04-04	1/4"	6	7/16" - 20	1/4" - 18	26,7	27,8	14,0	9/16"
LAJN-04-06	1/4"	6	7/16" - 20	3/8" - 18	28,5	31,0	19,0	3/4"
LAJN-05-02	5/16"	8	1/2" - 20	1/8" - 27	24,1	19,8	14,0	9/16"
LAJN-06-04	3/8"	10	9/16" - 18	1/4" - 18	26,9	27,7	14,0	9/16"
LAJN-06-06	3/8"	10	9/16" - 18	3/8" - 18	29,0	31,0	19,0	3/4"
LAJN-06-08	3/8"	11	9/16" - 18	1/2" - 14	31,0	37,3	22,2	7/8"
LAJN-08-04	1/2"	12	3/4" - 16	1/4" - 18	31,8	31,0	19,0	3/4"
LAJN-08-06	1/2"	12	3/4" - 16	3/8" - 18	31,8	31,0	19,0	3/4"
LAJN-08-08	1/2"	12	3/4" - 16	1/2" - 14	33,8	37,4	22,0	7/8"
LAJN-08-12	1/2"	12	3/4" - 16	3/4" - 14	36,1	40,4	27,0	1.1/16"
LAJN-10-08	5/8"	14/15/16	7/8" - 14	1/2" - 14	36,8	37,3	22,0	7/8"
LAJN-12-08	3/4"	18/20	1.1/16" - 12	1/2" - 14	42,2	40,4	27,0	1.1/16"
LAJN-12-12	3/4"	18/20	1.1/16" - 12	3/4" - 14	42,2	40,4	27,0	1.1/16"
LAJN-12-16	3/4"	18/20	1.1/16" - 12	1" - 11.1/2	44,7	50,0	33,0	1.5/16"
LAJN-16-16	1"	25	1.5/16" - 12	1" - 11.1/2	46,0	50,0	33,0	1.5/16"
LAJN-20-20	1.1/4"	28/30/32	1.5/8" - 12	1.1/4" - 11.1/2	52,3	60,5	41,0	1.5/8"
LAJN-24-24	1.1/2"	35/38	1.7/8" - 12	1.1/2" - 11.1/2	59,2	67,1	48,0	1.7/8"

LAJT

90° male stud elbow - JIC 37° end / male BSPT end



JIC

ORFS

BSP

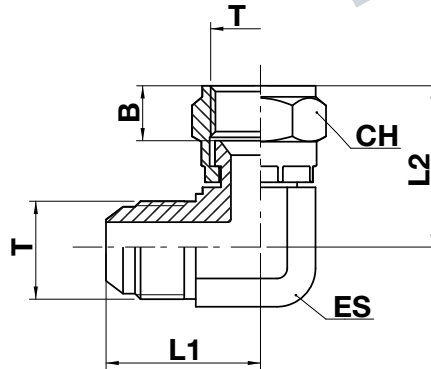
NPTF

OTHERS

code	ø hose		thread		L1 mm	L2 mm	ES	
	inch	dn	T1	T2			mm	in
LAJT-04-02	1/4"	6	7/16" - 20	1/8" - 28	22,6	19,8	11,0	7/16"
LAJT-04-04	1/4"	6	7/16" - 20	1/4" - 19	26,7	27,7	14,0	9/16"
LAJT-06-04	3/8"	10	9/16" - 18	1/4" - 19	26,9	27,7	14,0	9/16"
LAJT-06-06	3/8"	10	9/16" - 18	3/8" - 19	29,0	31,0	19,0	3/4"
LAJT-06-08	3/8"	10	9/16" - 18	1/2" - 14	31,0	37,3	22,0	7/8"
LAJT-08-06	1/2"	12	3/4" - 16	3/8" - 19	31,8	31,0	19,0	3/4"
LAJT-08-08	1/2"	12	3/4" - 16	1/2" - 14	43,2	37,3	22,0	7/8"
LAJT-12-12	3/4"	18/20	1.1/16" - 12	3/4" - 14	42,0	40,5	27,0	1.1/16"
LAJT-16-16	1"	25	1.5/16" - 12	1" - 11	46,0	50,0	33,0	1.1/4"
LAJT-20-16	1.1/4"	28/30/32	1.5/8" - 12	1.1/4" - 11	52,3	59,7	41,0	1.5/8"
LAJT-20-20	1.1/4"	28/30/32	1.5/8" - 12	1.1/2" - 11	55,9	60,5	48,0	1.7/8"
LAJT-24-24	1.1/2"	35/38	1.7/8" - 12	1.1/2" - 11	59,2	67,1	48,0	1.7/8"

LGJJ

90° swivel nut elbow - JIC male 37° end / JIC 37° female swivel end

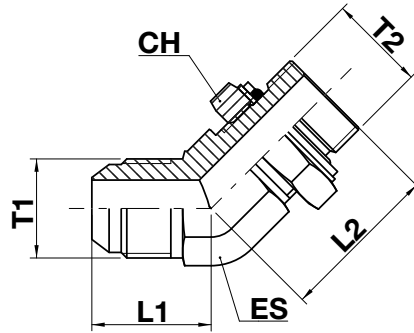


JIC
ORFS
BSP
NPTF
OTHERS

code	ø hose		thread	L1	L2	B	ES		CH	
	inch	dn	T	mm	mm	mm	mm	↗ in	mm	↗ in
LGJJ-04-04	1/4"	6	7/16" - 20	22,6	25,4	8,7	11,0	7/16"	14,0	9/16"
LGJJ-05-05	5/16"	8	1/2" - 20	24,1	26,9	9,5	14,0	9/16"	16,0	9/16"
LGJJ-06-06	3/8"	10	9/16" - 18	26,9	31,8	9,5	14,0	9/16"	19,0	3/4"
LGJJ-08-08	1/2"	12	3/4" - 16	31,8	35,1	10,7	19,0	3/4"	22,0	7/8"
LGJJ-10-10	5/8"	14/15/16	7/8" - 14	36,8	28,5	12,7	22,0	7/8"	27,0	1.1/16"
LGJJ-12-12	3/4"	18/20	1.1/16" - 12	42,2	44,5	14,3	27,0	1.1/16"	32,0	1.1/4"
LGJJ-16-16	1"	25	1.5/16" - 12	46,0	35,7	15,7	33,0	1.1/4"	41,0	1.5/8"
LGJJ-20-20	1.1/4"	28/30/32	1.5/8" - 12	52,3	58,7	15,9	41,0	1.5/8"	50,0	2"
LGJJ-24-24	1.1/2"	35/38	1.7/8" - 12	59,2	65,8	18,6	48,0	1.7/8"	60,0	2.3/8"
LGJJ-32-32	2"	51	2.1/2" - 12	77,7	83,5	23,8	63,5	2.1/2"	73,0	2.7/8"

VAJBR

45° male stud elbow - JIC 37° end / adjustable BSPP end O-ring + retaining ring (ISO 1179-3)



JIC

ORFS

BSP

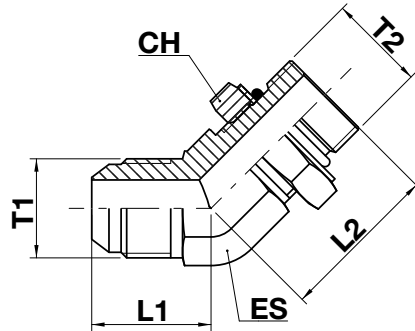
NPTF

OTHERS

code	ø hose		thread		L1	L2	ES		CH	
	inch	dn	T1	T2			mm	mm	mm	↻ in
VAJBR-04-04	1/4"	6	7/16" - 20	1/4" - 19	21,0	29,0	14,0	9/16"	19,0	3/4"
VAJBR-06-04	3/8"	10	9/16" - 18	1/4" - 19	21,0	29,0	14,0	9/16"	19,0	3/4"
VAJBR-06-06	3/8"	10	9/16" - 18	3/8" - 19	22,0	33,0	19,0	3/4"	22,0	7/8"
VAJBR-08-08	1/2"	12	3/4" - 16	1/2" - 14	25,5	38,5	22,0	7/8"	27,0	1.1/16"
VAJBR-08-06	1/2"	12	3/4"-16	3/8"-19	25,0	33,0	19,0	3/4"	22,0	7/8"
VAJBR-10-08	5/8"	14/15/16	7/8" - 14	1/2" - 14	28,0	38,5	22,0	7/8"	27,0	1.1/16"
VAJBR-12-12	3/4"	18/20	1.1/16" - 12	3/4" - 14	32,5	44,0	27,0	1.1/16"	36,0	1.7/16"
VAJBR-16-16	1"	25	1.5/16" - 12	1" - 11	37,3	47,0	33,0	1.1/4"	41,0	1.5/8"

VAJE

45° male stud elbow - JIC 37° end / adjustable UN/UNF end - O-ring (ISO 11926)

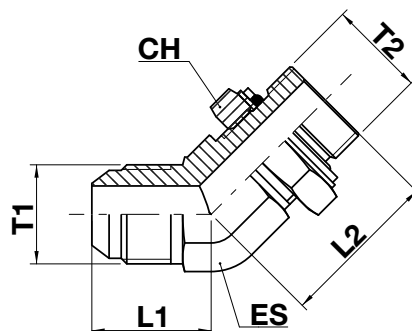


JIC
ORFS
BSP
NPTF
OTHERS

code	ø hose		thread		L1	L2	ES		CH	
	inch	dn	T1	T2			mm	mm	mm	↻ in
VAJE-04-04	1/4"	6	7/16" - 20	7/16" - 20	18,3	26,7	14,0	9/16"	17,0	11/16"
VAJE-06-06	3/8"	10	9/16" - 18	9/16" - 18	21,1	29,0	14,0	9/16"	19,0	3/4"
VAJE-08-08	1/2"	12	3/4" - 16	3/4" - 16	25,0	33,0	19,0	3/4"	24,0	15/16"
VAJE-08-10	1/2"	12	3/4" - 16	7/8" - 14	25,2	38,6	22,0	7/8"	27,0	1.1/16"
VAJE-10-10	5/8"	14/15/16	7/8" - 14	7/8" - 14	28,2	28,6	22,0	7/8"	27,0	1.1/16"
VAJE-12-10	3/4"	18/20	1.1/16" - 12	7/8" - 14	32,5	39,8	27,0	1.1/16"	27,0	1.1/16"
VAJE-12-12	3/4"	18/20	1.1/16" - 12	1.1/16" - 12	32,5	32,5	27,0	1.1/16"	36,0	1.7/16"
VAJE-20-20	1"	25	1.5/8" - 12	1.5/8" - 12	40,3	40,4	41,0	1.5/8"	50,0	2"
VAJE-24-24	1.1/2"	35/38	1.7/8" - 12	1.7/8" - 12	45,0	45,2	48,0	1.7/8"	55,0	2.3/16"

VAJMR

45° male stud elbow - JIC 37° end / metric end - O-ring + retaining ring



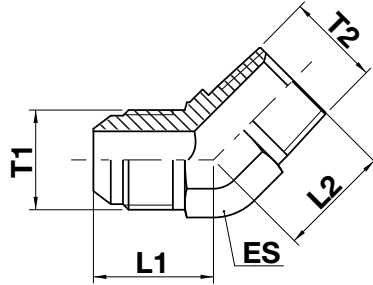
JIC

ORFS
BSP
NPTF
OTHERS

code	ø hose		thread		L1	L2	ES		CH	
	inch	dn	T1	T2			mm	in	mm	in
VAJMR-04-10	1/4"	6	7/16" - 20	M10 x 1	18,0	26,5	14,0	9/16"	14,0	9/16"
VAJMR-04-12	1/4"	6	7/16" - 20	M12 x 1,5	21,0	29,0	14,0	9/16"	17,0	11/16"
VAJMR-06-14	3/8"	10	9/16" - 18	M14 x 1,5	21,5	28,0	14,0	9/16"	19,0	3/4"
VAJMR-08-16	1/2"	12	3/4" - 16	M16 x 1,5	25,0	33,0	19,0	3/4"	22,0	7/8"
VAJMR-08-18	1/2"	12	3/4" - 16	M18 x 1,5	25,0	33,0	19,0	3/4"	24,0	15/16"
VAJMR-10-22	3/4"	18/20	7/8" - 14	M22 x 1,5	28,0	38,5	22,0	7/8"	27,0	1.1/16"
VAJMR-12-27	1"	25	1.1/16" - 12	M27 x 2	32,5	44,0	27,0	1.1/16"	32,0	1.1/4"

VAJN

45° male stud elbow - JIC 37° end / NPTF end



JIC
ORFS
BSP
NPTF
OTHERS

code	ø hose		thread		L1 mm	L2 mm	ES	
	inch	dn	T1	T2			mm	 in
VAJN-04-02	1/4"	6	7/16" - 20	1/8" - 27	18,3	16,3	11,0	7/16"
VAJN-04-04	1/4"	6	7/16" - 20	1/4" - 18	20,8	21,8	14,0	9/16"
VAJN-06-04	3/8"	10	9/16" - 18	1/4" - 18	21,0	21,8	14,0	9/16"
VAJN-06-06	3/8"	10	9/16" - 18	3/8" - 18	22,0	24,1	19,0	3/4"
VAJN-06-08	3/8"	10	9/16" - 18	1/2" - 14	25,0	29,7	22,0	7/8"
VAJN-08-06	1/2"	12	3/4" - 16	3/8" - 18	25,0	24,1	19,0	3/4"
VAJN-08-08	1/2"	12	3/4" - 16	1/2" - 14	25,2	29,7	22,0	7/8"
VAJN-10-18	5/8"	14/15/16	7/8" - 14	1/2" - 14	28,2	29,7	22,0	7/8"
VAJN-10-12	5/8"	14/15/16	7/8" - 14	3/4" - 14	29,5	30,5	27,0	1.1/16"
VAJN-12-12	3/4"	18/20	1.1/16" - 12	3/4" - 14	32,5	30,5	27,0	1.1/16"
VAJN-12-16	3/4"	18/20	1.1/16" - 12	1" - 11.1/2	36,0	37,6	33,0	1.5/16"
VAJN-16-12	1"	25	1.5/16" - 12	3/4" - 14	37,3	32,8	33,0	1.5/16"
VAJN-16-16	1"	25	1.5/16" - 12	1" - 11.1/2	37,3	37,6	33,0	1.5/16"
VAJN-20-20	1.1/4"	28/30/32	1.5/8" - 12	1.1/4" - 11.1/2	40,4	42,4	41,0	1.5/8"
VAJN-24-24	1.1/2"	35/38	1.7/8" - 12	1.1/2" - 11.1/2	45,2	45,0	48,0	1.7/8"

VAJT

45° male stud elbow - JIC 37° end / BSPT end

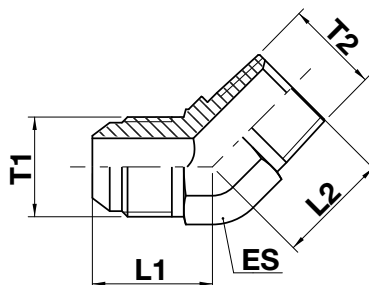
JIC

ORFS

BSP

NPTF

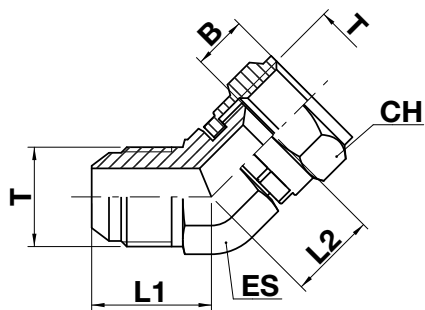
OTHERS



code	ø hose		thread		L1 mm	L2 mm	ES	
	inch	dn	T1	T2			mm	↻ in
VAJT-04-02	1/4"	6	7/16" - 20	1/8" - 28	18,3	16,3	11,0	7/16"
VAJT-04-04	1/4"	6	7/16" - 20	1/4" - 19	20,8	21,8	14,0	9/16"
VAJT-06-06	3/8"	10	9/16" - 18	3/8" - 19	22,0	24,1	19,0	3/4"
VAJT-06-08	3/8"	10	9/16" - 18	1/2" - 14	25,0	29,7	22,0	7/8"
VAJT-08-06	1/2"	12	3/4" - 16	3/8" - 19	25,0	24,1	19,0	3/4"
VAJT-08-08	1/2"	12	3/4" - 16	1/2" - 14	25,2	29,7	22,0	7/8"
VAJT-12-12	3/4"	18/20	1.1/16" - 12	3/4" - 14	35,5	30,5	27,0	1.1/16"
VAJT-16-16	1"	25	1.5/16" - 12	1" - 11	37,3	37,6	33,0	1.5/16"
VAJT-20-20	1.1/4"	28/30/32	1.5/8" - 12	1.1/4" - 11	40,4	42,4	41,0	1.5/8"
VAJT-24-24	1.1/2"	35/38	1.7/8" - 12	1.1/2" - 11	45,2	45,0	48,0	1.7/8"

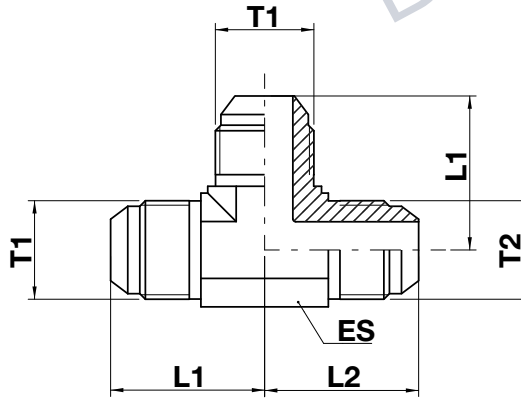
VGJJ

45° swivel nut elbow - male JIC 37° end / JIC 37° female swivel end



JIC
ORFS
BSP
NPTF
OTHERS

code	ø hose		thread	L1	L2	B	ES		CH	
	inch	dn	T	mm	mm	mm	mm	↻ in	mm	↻ in
VGJJ-04-04	1/4"	6	7/16" - 20	18,3	23,9	8,7	11,0	7/16"	14,0	9/16"
VGJJ-06-06	3/8"	10	9/16" - 18	21,1	28,4	9,5	14,0	9/16"	19,0	3/4"
VGJJ-08-08	1/2"	12	3/4" - 16	24,9	32,5	10,7	19,0	3/4"	22,0	7/8"
VGJJ-10-10	5/8"	14/15/16	7/8" - 14	28,2	36,6	12,7	22,0	7/8"	27,0	1.1/16"
VGJJ-12-12	3/4"	18/20	1.1/16" - 12	32,5	38,1	14,3	27,0	1.1/16"	32,0	1.1/4"
VGJJ-16-16	1"	25	1.5/16" - 12	37,3	44,5	15,1	33,0	1.1/4"	38,0	1.1/2"
VGJJ-20-20	1.1/4"	28/30/32	1.5/8" - 12	40,4	35,7	15,9	41,0	1.5/8"	50,0	2"
VGJJ-24-24	1.1/2"	35/38	1.7/8" - 12	45,0	57,0	18,6	48,0	1.7/8"	60,0	2.3/8"
VGJJ-32-32	2"	51	2.1/2" - 12	56,0	73,9	23,8	63,5	2.1/2"	73,0	2.7/8"

T1J**Union tee - male JIC 37° ends****JIC**

ORFS

BSP

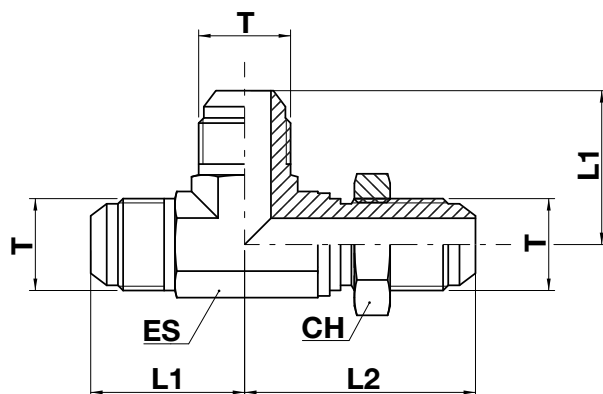
NPTF

OTHERS

code	ø hose T1		ø hose T2		thread		L1	L2	ES	
	inch	dn	in	dn	T1	T2			mm	mm
T1J-04-04-04	1/4"	6	1/4"	6	7/16" - 20	7/16" - 20	22,6	22,6	11,0	7/16"
T1J-06-06-06	3/8"	10	3/8"	10	9/16" - 18	9/16" - 18	26,9	26,9	14,0	9/16"
T1J-06-08-06	3/8"	10	1/2"	12	9/16" - 18	9/16" - 18	31,8	29,0	19,0	3/4"
T1J-08-08-08	1/2"	12	1/2"	12	3/4" - 16	3/4" - 16	31,8	31,8	19,0	3/4"
T1J-10-10-10	5/8"	14/15/16	5/8"	14/15/16	7/8" - 14	7/8" - 14	36,8	36,8	22,0	7/8"
T1J-12-12-12	3/4"	18/20	3/4"	18/20	1.1/16" - 12	1.1/16" - 12	42,2	42,2	27,0	1.1/16"
T1J-16-16-16	1"	25	1"	25	1.5/16" - 12	1.5/16" - 12	46,0	46,0	33,0	1.5/16"
T1J-20-20-20	1.1/4"	28/30/32	1.1/4"	25	1.5/8" - 12	1.5/8" - 12	52,3	52,3	41,0	1.5/8"
T1J-24-24-24	1.1/2"	35/38	1.1/2"	35/38	1.7/8" - 12	1.7/8" - 12	59,2	59,2	48,0	1.7/8"

T2JP

Bulkhead run tee - JIC 37° ends (complete with locknut)



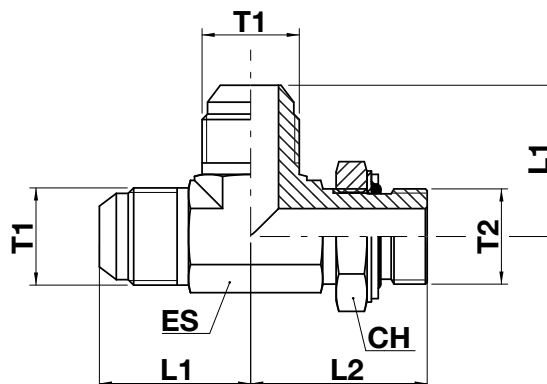
JIC
ORFS
BSP
NPTF
OTHERS

code	ø hose		thread	L1	L2	ES		CH	
	inch	dn	T	mm	mm	mm	↗ in	mm	↗ in
T2JP-04-04-04	1/4"	6	7/16" - 20	24,6	40,4	11,0	7/16"	17,0	11/16"
T2JP-06-06-06	3/8"	10	9/16" - 18	27,7	46,0	14,0	9/16"	22,0	7/8"
T2JP-08-08-08	1/2"	12	3/4" - 16	34,5	53,6	19,0	3/4"	24,0	15/16"
T2JP-10-10-10	5/8"	14/15/16	7/8" - 14	39,6	60,7	22,0	7/8"	30,0	1.3/16"
T2JP-12-12-12	3/4"	18/20	1.1/16" - 12	45,2	67,8	27,0	1.1/16"	36,0	1.7/16"
T2JP-16-16-16	1"	25	1.5/16" - 12	49,3	71,0	33,0	1.1/4"	41,0	1.5/8"
T2JP-20-20-20	1.1/4"	28/30/32	1.5/8" - 12	55,0	79,3	41,0	1.5/8"	50,0	2"

T2JBR

Male stud run tee - JIC 37° ends / adjustable BSPP end O-ring + retaining ring (ISO 1179-3)

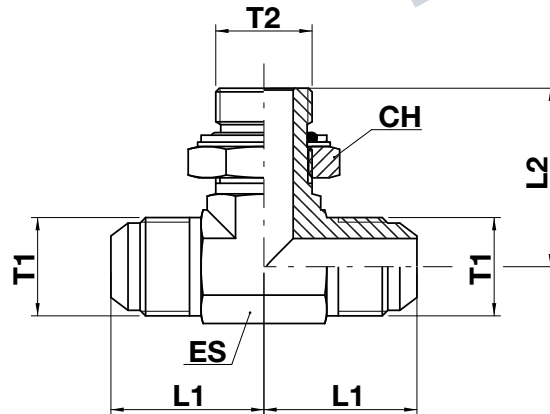
JIC
ORFS
BSP
NPTF
OTHERS



code	ø hose		thread		L1	L2	ES		CH	
	inch	dn	T1	T2			mm	↗ in	mm	↗ in
T2JBR-06-04-06	1/4"	6	9/16" - 18	1/4" - 19	27,0	31,5	14,0	9/16"	19,0	3/4"
T2JBR-08-06-08	3/8"	10	3/4" - 16	3/8" - 19	31,5	36,5	19,0	3/4"	22,0	7/8"
T2JBR-10-08-10	1/2"	12	7/8" - 14	1/2" - 14	36,5	43,0	22,0	7/8"	27,0	1.1/16"
T2JBR-12-12-12	3/4"	18/20	1.1/16" - 12	3/4" - 14	42,0	49,0	27,0	1.1/16"	36,0	1.7/16"
T2JBR-16-16-16	1"	25	1.5/16" - 12	1" - 11	46,0	52,0	33,0	1.1/4"	41,0	1.5/8"
T2JBR-20-20-20	1.1/4"	28/30/32	1.5/8" - 12	1.1/4" - 11	52,0	57,0	41,0	1.5/8"	50,0	2"

T3JBR

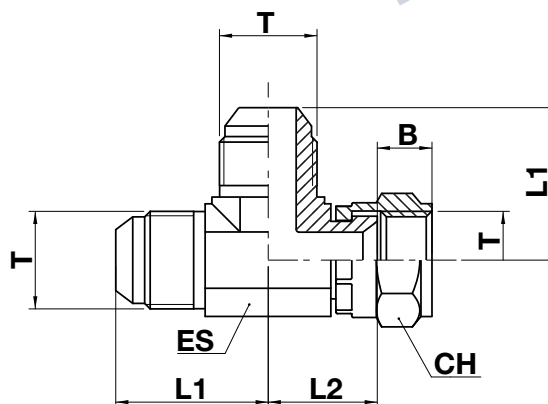
Male stud branch tee - JIC 37° ends / adjustable BSPP end O-ring + retaining ring (ISO 1179-3)



JIC
ORFS
BSP
NPTF
OTHERS

code	ø hose		thread		L1	L2	ES		CH	
	inch	dn	T1	T2			mm	↗ in	mm	↗ in
T3JBR-04-04-02	1/4"	6	7/16 - 20	1/8" - 28	22,5	26,0	11,0	7/16"	14,0	9/16"
T3JBR-06-06-04	3/8"	10	9/16" - 18	1/4" - 19	27,0	31,8	14,0	9/16"	19,0	3/4"
T3JBR-08-08-06	1/2"	12	3/4" - 16	3/8" - 19	31,5	36,5	19,0	3/4"	22,0	7/8"
T3JBR-08-08-08	1/2"	12	3/4" - 16	1/2" - 14	34,0	43,0	22,0	7/8"	27,0	1.1/16"
T3JBR-10-10-08	5/8"	14/15/16	7/8" - 14	1/2" - 14	36,5	43,0	22,0	7/8"	27,0	1.1/16"
T3JBR-12-12-12	3/4"	18/20	1.1/16" - 12	3/4" - 14	46,0	49,0	27,0	1.1/16"	36,0	1.7/16"
T3JBR-16-16-16	1"	25	1.5/16" - 12	1" - 11	46,0	52,0	33,0	1.1/4"	41,0	1.5/8"

T4J

Swivel nut run tee - male JIC 37° ends / JIC 37° female swivel end**JIC**

ORFS

BSP

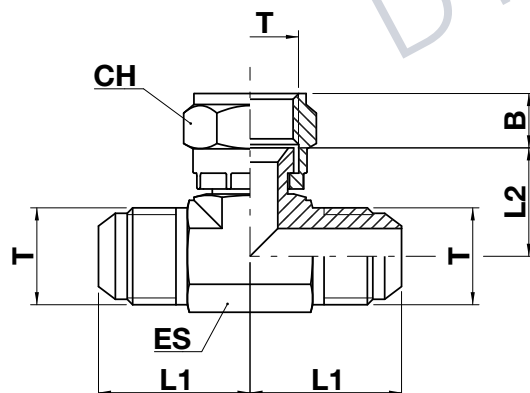
NPTF

OTHERS

code	ø hose		thread	L1	L2	B	ES		CH	
	inch	dn	T	mm	mm	mm	mm	↗ in	mm	↗ in
T4J-04-04-04	1/4"	6	7/16" - 20	22,6	25,4	8,7	11,0	7/16"	14,0	9/16"
T4J-06-06-06	3/8"	10	9/16" - 18	26,9	31,8	9,5	14,0	9/16"	19,0	3/4"
T4J-08-08-08	1/2"	12	3/4" - 16	31,8	35,1	10,7	19,0	3/4"	22,0	7/8"
T4J-10-10-10	5/8"	14/15/16	7/8" - 14	36,8	41,1	12,7	22,0	7/8"	27,0	1.1/16"
T4J-12-12-12	3/4"	18/20	1.1/16" - 12	42,2	44,5	14,3	27,0	1.1/16"	32,0	1.1/4"
T4J-16-16-16	1"	25	1.5/16" - 12	46,0	50,8	15,1	33,0	1.1/4"	38,0	1.1/2"
T4J-20-20-20	1.1/4"	28/30/32	1.5/8" - 12	52,3	58,7	15,9	41,0	1.5/8"	50,0	2"
T4J-24-24-24	1.1/2"	35/38	1.7/8" - 12	59,2	65,8	18,5	48,0	1.7/8"	60,0	2.3/8"
T4J-32-32-32	2"	45/24	2.1/2" - 12	77,7	62,0	23,5	63,5	2.1/2"	75,0	2.7/8"

T5J

Swivel nut branch tee - male JIC 37° ends / JIC 37° female swivel end

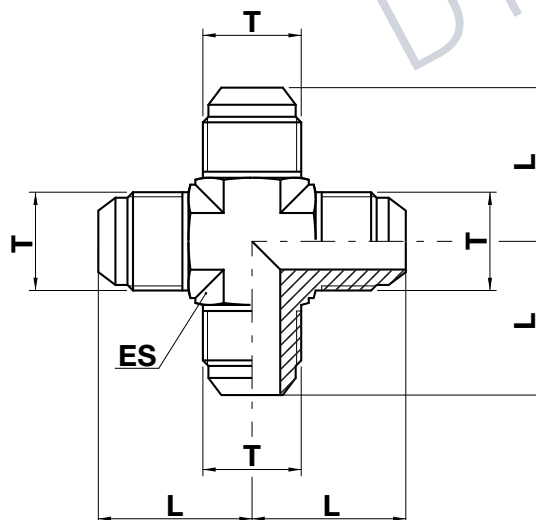


JIC
ORFS
BSP
NPTF
OTHERS

code	ø hose		thread	L1	L2	B	ES		CH	
	inch	dn	T	mm	mm	mm	mm	↻ in	mm	↻ in
T5J-04-04-04	1/4"	6	7/16" - 20	22,6	16,7	8,7	11,0	7/16"	14,0	9/16"
T5J-06-06-06	3/8"	10	9/16" - 18	26,9	22,3	9,5	14,0	9/16"	19,0	3/4"
T5J-08-08-08	1/2"	12	3/4" - 16	31,8	24,4	10,7	19,0	3/4"	22,0	7/8"
T5J-10-10-10	5/8"	14/15/16	7/8" - 14	36,8	29,1	12,0	22,0	7/8"	27,0	1.1/16"
T5J-12-12-12	3/4"	18/20	1.1/16" - 12	42,2	30,2	14,3	27,0	1.1/16"	32,0	1.1/4"
T5J-16-16-16	1"	25	1.5/16" - 12	46,0	35,7	15,1	33,0	1.1/4"	38,0	1.1/2"
T5J-20-20-20	1.1/4"	28/30/32	1.5/8" - 12	52,3	42,8	15,9	41,0	1.5/8"	50,0	2"
T5J-24-24-24	1.1/2"	35/38	1.7/8" - 12	59,2	47,2	18,6	48,0	1.7/8"	60,0	2.3/8"

XAJ

Union cross - male JIC 37° ends


**JIC**

ORFS

BSP

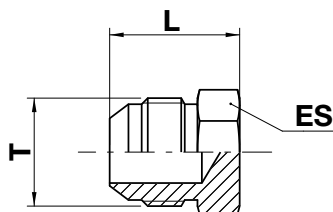
NPTF

OTHERS

code	ø hose		thread	L	ES	
	inch	dn	T	mm	mm	 in
XAJ-04	1/4"	6	7/16" - 20	22,6	11,0	7/16"
XAJ-06	3/8"	10	9/16" - 18	26,9	14,0	9/16"
XAJ-08	1/2"	12	3/4" - 16	32,0	19,0	3/4"
XAJ-12	3/4"	18/20	1.1/16" - 12	42,2	27,0	1.1/16"
XAJ-16	1"	25	1.5/16"	46,0	33,0	1.5/16"

PAJ

JIC male 37° end plug



JIC
ORFS
BSP
NPTF
OTHERS

code	thread	L mm	ES	
	T		mm	in
PAJ-04	7/16" - 20	20,3	12,0	1/2"
PAJ-05	1/2" - 20	20,3	14,0	9/16"
PAJ-06	9/16" - 18	21,3	17,0	11/16"
PAJ-08	3/4" - 16	23,9	22,0	7/8"
PAJ-10	7/8" - 14	27,9	24,0	15/16"
PAJ-12	1.1/16" - 12	32,5	27,0	1.1/16"
PAJ-16	1.5/16" - 12	33,8	36,0	1.7/16"
PAJ-20	1.5/8" - 12	36,8	46,0	1.3/16"
PAJ-32	2.1/2" - 12	52,0	65,0	2.9/16"

CJX

JIC 37° female swivel cap

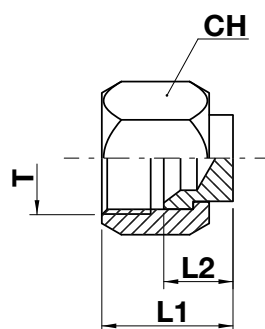
JIC

ORFS

BSP

NPTF

OTHERS

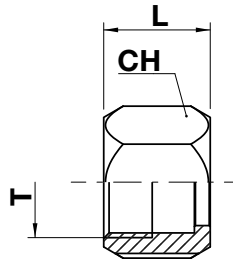


2 or 4 points punched to avoid cap slip off


code	ø hose		thread	L1	L2	CH	
	inch	dn	T	mm	mm	mm	↻ in
CJX-04	1/4"	6	7/16" - 20	17,0	8,7	14,0	9/16"
CJX-05	5/16"	8	1/2" - 20	21,7	10,3	17,0	11/16"
CJX-06	3/8"	10	9/16" - 18	20,4	11,9	19,0	3/4"
CJX-08	1/2"	12	3/4" - 16	23,9	13,5	22,0	7/8"
CJX-10	5/8"	14/15/16	7/8" - 14	27,2	13,5	27,0	1.1/16"
CJX-12	3/4"	18/20	1.1/16" - 12	31,7	16,7	32,0	1.1/4"
CJX-16	1"	25	1.5/16" - 12	34,7	15,9	41,0	1.5/8"
CJX-20	1.1/4"	28/30/32	1.5/8" - 12	35,4	19,1	50,0	2"
CJX-24	1.1/2"	35/38	1.7/8" - 12	43,2	23,8	60,0	2.3/8"
CJX-32	2"	51	2.1/2" - 12	53,5	30,1	75,0	2.7/8"

DJIC3V

JIC nut



JIC
ORFS
BSP
NPTF
OTHERS

code	ø hose		thread	L	CH	
	inch	dn	T	mm	mm	 in
DJIC3-06V00	3/8"	10	9/16" - 18	18,5	19,0	3/4"
DJIC3-08V00	1/2"	12	3/4" - 16	21,6	22,0	7/8"
DJIC3-10V00	5/8"	14/15/16	7/8" - 14	24,9	27,0	1.1/16"
DJIC3-12V00	3/4"	18/20	1.1/16" - 12	26,2	32,0	1.1/4"
DJIC3-16V00	1"	25	1.5/16" - 12	28,7	41,0	1.5/8"
DJIC3-20V00	1.1/4"	28/30/32	1.5/8" - 12	31,2	50,0	2"
DJIC3-24V00	1.1/2"	35/38	1,7/8" - 12	36,0	60,0	2.3/8"

CJIC

JIC locknut

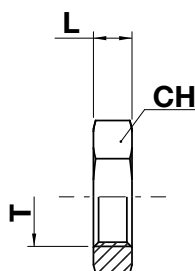
JIC

ORFS

BSP

NPTF

OTHERS



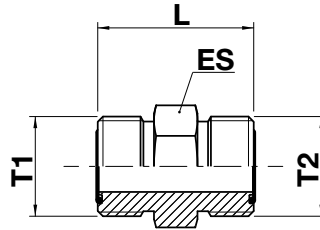
code	thread	L	CH	
	T	mm	mm	in
CJIC-0600	9/16" - 18	6,9	22,0	7/8"
CJIC-0800	3/4" - 16	7,9	24,0	15/16"
CJIC-1000	7/8" - 14	9,1	30,0	1.3/16"
CJIC-1200	1.1/16" - 12	10,4	36,0	1.7/16"
CJIC-1600	1.5/16" - 12	10,4	41,0	1.5/8"
CJIC-2000	1.5/8" - 12	10,4	50,0	2"
CJIC-2400	1.7/8" - 12	10,4	55,0	2.3/16"

ORFS

SAE O-ring face seal connectors

AOO

Union male ORFS ends

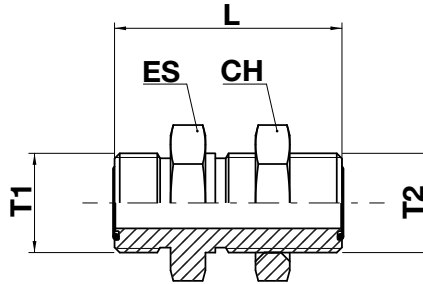


JIC
ORFS
 BSP
 NPTF
 OTHERS

code	ø hose		thread		L mm	ES	
	inch	dn	T1	T2		mm	↻ in
AOO-04-04	1/4"	6	9/16" - 18	9/16" - 18	27,4	17,0	11/16"
AOO-06-04	3/8"	10	11/16" - 16	9/16" - 18	29,7	19,0	3/4"
AOO-06-06	3/8"	10	11/16" - 16	11/16" - 16	31,0	19,0	3/4"
AOO-08-06	1/2"	12	13/16" - 16	11/16" - 16	33,8	22,0	7/8"
AOO-08-08	1/2"	12	13/16" - 16	13/16" - 16	35,5	22,0	7/8"
AOO-10-08	5/8"	14/15/16	1" - 14	13/16" - 16	40,0	27,0	1.1/16"
AOO-10-10	5/8"	14/15/16	1" - 14	1" - 14	42,5	27,0	1.1/16"
AOO-12-10	5/8"	14/15/16	1.3/16" - 12	1" - 14	45,5	32,0	1.1/4"
AOO-12-12	3/4"	18/20	1.3/16" - 12	1.3/16" - 12	47,2	32,0	1.1/4"
AOO-16-12	1"	25	1.7/16" - 12	1.3/16" - 12	48,8	41,0	1.5/8"
AOO-16-16	1"	25	1.7/16" - 12	1.7/16" - 12	49,3	41,0	1.5/8"
AOO-20-16	1.1/4"	28/30/32	1.11/16" - 12	1.7/16" - 12	51,3	46,0	1.13/16"
AOO-20-20	1.1/4"	28/30/32	1.11/16" - 12	1.11/16" - 12	51,3	46,0	1.13/16"
AOO-24-20	1.1/4"	28/30/32	1.11/16" - 12	1.11/16" - 12	53,0	55,0	2.3/16"
AOO-24-24	1.1/2"	35/38	2" - 12	2" - 12	53,0	55,0	2.3/16"

AOOP

Bulkhead union ORFS ends (complete with locknut)

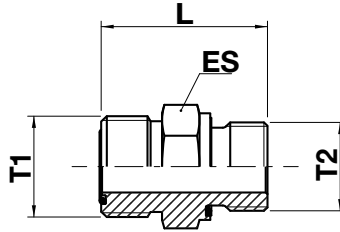


JIC
ORFS
 BSP
 NPTF
 OTHERS

code	ø hose		thread		L mm	ES		CH	
	inch	dn	T1	T2		mm	↻ in	mm	↻ in
AOOP-04-04	1/4"	6	9/16" - 18	9/16" - 18	48,3	22,0	7/8"	22,0	7/8"
AOOP-06-06	3/8"	10	11/16" - 16	11/16" - 16	53,1	27,0	1.1/16"	27,0	1.1/16"
AOOP-08-08	1/2"	12	13/16" - 16	13/16" - 16	58,0	30,0	1.3/16"	30,0	1.3/16"
AOOP-10-08	5/8"	14/15/16	1" - 14	13/16" - 16	62,5	30,0	1.3/16"	30,0	1.3/16"
AOOP-10-10	5/8"	14/15/16	1" - 14	1" - 14	66,6	36,0	1.7/16"	36,0	1.7/16"
AOOP-12-12	3/4"	18/20	1.3/16" - 12	1.3/16" - 12	69,1	41,0	1.5/8"	41,0	1.5/8"
AOOP-16-16	1"	25	1.7/16" - 12	1.7/16" - 12	70,0	46,0	1.13/16"	46,0	1.13/16"
AOOP-24-24	1.1/2"	35/38	2" - 12	2" - 12	70,0	60,0	2.3/8"	60,0	2.3/8"

AOB

Male stud connector - ORFS end / BSPP thread - ED seal (ISO 1179-2)



JIC
ORFS
 BSP
 NPTF
 OTHERS

code	ø hose		thread		L mm	ES	
	inch	dn	T1	T2		mm	↗ in
AOB-04-04	1/4"	6	9/16" - 18	1/4"-19	31,0	19,0	3/4"
AOB-04-06	1/4"	6	9/16" - 18	3/8"-19	31,8	22,0	7/8"
AOB-04-08	1/4"	6	9/16" - 18	1/2" - 14	35,0	27,0	1.1/16"
AOB-06-02	3/8"	10	11/16" - 16	1/8" - 28	28,0	19,0	3/4"
AOB-06-04	3/8"	10	11/16" - 16	1/4"-19	32,0	19,0	3/4"
AOB-06-06	3/8"	10	11/16" - 16	3/8"-19	33,5	22,0	7/8"
AOB-06-08	3/8"	10	11/16" - 16	1/2" - 14	38,5	27,0	1.1/16"
AOB-08-02	1/2"	12	13/16" - 16	1/8" - 28	35,0	22,0	7/8"
AOB-08-04	1/2"	12	13/16" - 16	1/4"-19	35,0	22,0	7/8"
AOB-08-06	1/2"	12	13/16" - 16	3/8"-19	35,3	22,0	7/8"
AOB-08-08	1/2"	12	13/16" - 16	1/2" - 14	39,0	27,0	1.1/16"
AOB-08-12	1/2"	12	13/16" - 16	3/4"-14	41,8	32,0	1.1/4"
AOB-10-08	5/8"	14/15/16	1" - 14	1/2"-14	41,0	27,0	1.1/16"
AOB-10-10	5/8"	14/15/16	1" - 14	5/8" - 14	41,5	30,0	1.3/16"
AOB-10-12	5/8"	14/15/16	1" - 14	3/4"-14	45,0	32,0	1.1/4"
AOB-12-08	3/4"	18/20	1.3/16" - 12	1/2" - 14	44,5	32,0	1.1/4"
AOB-12-12	3/4"	18/20	1.3/16" - 12	3/4"-14	46,5	32,0	1.1/4"
AOB-12-16	3/4"	18/20	1.3/16" - 12	1" - 11	49,0	41,0	1.5/8"
AOB-12-20	3/4"	18/20	1.3/16" - 12	1.1/4" - 11	53,0	50,0	2"

← AOB

DRAFT

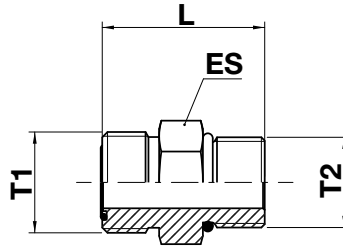
code	ø hose		thread		L mm	ES	
	inch	dn	T1	T2		mm	in
AOB-16-12	1"	25	1.7/16" - 12	3/4" - 14	48,0	41,0	1.5/8"
AOB-16-16	1"	25	1.7/16" - 12	1" - 11	50,0	41,0	1.5/8"
AOB-16-20	1"	25	1.7/16" - 12	1.1/4" - 11	54,0	50,0	2"
AOB-20-12	1.1/4"	28/30/32	1.11/16" - 12	3/4"-14	51,0	46,0	1.13/16"
AOB-20-16	1.1/4"	28/30/32	1.11/16" - 12	1" - 11	52,0	46,0	1.13/16"
AOB-20-20	1.1/4"	28/30/32	1.11/16" - 12	1.1/4" - 11	55,0	50,0	2"
AOB-24-24	1.1/2"	35/38	2" - 12	1.1/2" - 11	57,6	55,0	2.3/16"

JIC
ORFS
 BSP
 NPTF
 OTHERS

←

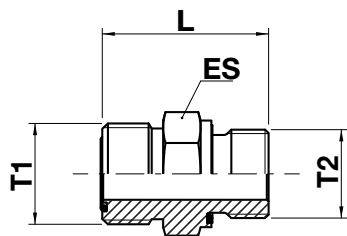
AOE

Male stud connector - ORFS end / UN/UNF thread - O-ring (ISO 11926)



JIC
ORFS
 BSP
 NPTF
 OTHERS

code	ø hose		thread		L mm	ES	
	inch	dn	T1	T2		mm	in
AOE-04-04	1/4"	6	9/16"-18	7/16"-20	28,8	17,0	11/16"
AOE-04-06	1/4"	6	9/16"-18	9/16" - 18	30,5	19,0	3/4"
AOE-06-04	3/8"	10	11/16"-16	7/16"-20	34,1	19,0	3/4"
AOE-06-06	3/8"	10	11/16"-16	9/16" - 18	32,0	19,0	3/4"
AOE-06-08	3/8"	10	11/16"-16	3/4"-16	35,0	22,0	7/8"
AOE-08-08	1/2"	12	13/16"-16	3/4"-16	36,6	22,0	7/8"
AOE-08-10	1/2"	12	13/16"-16	7/8"-14	40,5	27,0	1.1/16"
AOE-10-08	5/8"	14/15/16	1"-14	3/4"-16	45,2	27,0	1.1/16"
AOE-10-10	5/8"	14/15/16	1"-14	7/8"-14	43,0	27,0	1.1/16"
AOE-10-12	5/8"	14/15/16	1"-14	1.1/16" - 12	47,0	32,0	1.1/4"
AOE-12-08	3/4"	20	1.3/16" - 12	3/4"-16	48,5	32,0	1.1/4"
AOE-12-10	3/4"	20	1.3/16" - 12	7/8"-14	50,6	32,0	1.1/4"
AOE-12-12	3/4"	20	1.3/16" - 12	1.1/16" - 12	48,6	32,0	1.1/4"
AOE-12-16	3/4"	20	1.3/16" - 12	1.5/16" - 12	49,7	41,0	1.5/8"
AOE-12-20	3/4"	20	1.3/16" - 12	1.5/8" - 12	51,8	46,0	1.13/16"
AEO-16-10	1"	25	1,7/16"-12	7/8"-12"	51,8	38,0	1.1/2"
AOE-16-12	1"	25	1.7/16" - 12	1.1/16" - 12	54,3	41,0	1.5/8"
AOE-16-16	1"	25	1.7/16" - 12	1.5/16" - 12	50,3	41,0	1.5/8"
AOE-16-20	1"	25	1.7/16" - 12	1.5/8" - 12	52,5	50,0	2"
AOE-20-20	1.1/4"	28/30/32	1.11/16" - 12	1.5/8" - 12	52,5	50,0	2"
AOE-24-24	1.1/2"	35/38	2" - 12	1.7/8" - 12	54,0	55,0	2.3/16"

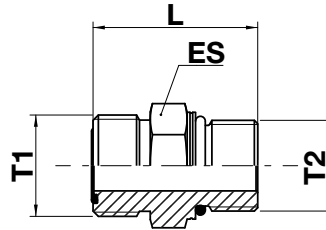
Male stud connector - ORFS end / metric thread - ED seal (ISO 9974-2)

JIC
ORFS
 BSP
 NPTF
 OTHERS

code	ø hose		thread		L mm	ES	
	inch	dn	T1	T2		mm	in
AOM-04-10	1/4"	6	9/16" - 18	M10 x 1	26,0	17,0	11/16"
AOM-04-14	1/4"	6	9/16" - 18	M14 x 1,5	31,0	19,0	3/4"
AOM-06-12	3/8"	10	11/16" - 16	M12 x 1,5	35,0	19,0	3/4"
AOM-06-14	3/8"	10	11/16" - 16	M14 x 1,5	31,0	19,0	3/4"
AOM-06-16	3/8"	10	11/16" - 16	M16 x 1,5	32,0	22,0	7/8"
AOM-06-18	3/8"	10	11/16" - 16	M18 x 1,5	32,5	24,0	15/16"
AOM-08-18	1/2"	12	13/16" - 16	M18 x 1,5	35,0	24,0	15/16"
AOM-08-22	1/2"	12	13/16" - 16	M22 x 1,5	39,0	27,0	1.1/16"
AOM-08-26	1/2"	12	13/16" - 16	M26 x 1,5	41,8	32,0	1.1/4"
AOM-08-27	1/2"	12	13/16" - 16	M27 x 2	41,8	32,0	1.1/4"
AOM-10-16	5/8"	14/15/16	1" - 14	M16 x 1,5	42,0	27,0	1.1/16"
AOM-10-27	5/8"	14/15/16	1" - 14	M27 x 2	45,0	32,0	1.1/4"
AOM-12-22	3/4"	18/20	1.3/16" - 12	M22 x 1,5	44,0	32,0	1.1/4"
AOM-12-26	3/4"	18/20	1.3/16" - 12	M26 x 1,5	46,0	32,0	1.1/4"
AOM-12-27	3/4"	18/20	1.3/16" - 12	M27 x 2	49,0	32,0	1.1/4"
AOM-16-26	1"	25	1.7/16" - 12	M26 x 1,5	48,0	41,0	1.5/8"
AOM-16-27	1"	25	1.7/16" - 12	M27 x 2	48,0	41,0	1.5/8"
AOM-20-42	1.1/4"	28/30/32	1.11/16" - 12	M42 x 2	54,0	50,0	2"

AOM1

Male stud connector - ORFS end / metric thread - O-ring (ISO 6149)



JIC
ORFS
 BSP
 NPTF
 OTHERS

code	ø hose		thread		L mm	ES	
	inch	dn	T1	T2		mm	in
AOM1-04-10	1/4"	6	9/16" - 18	M10 x 1,5	27,0	17,0	11/16"
AOM1-04-12	1/4"	6	9/16" - 18	M12 x 1,5	28,5	17,0	11/16"
AOM1-04-14	1/4"	6	9/16" - 18	M14 x 1,5	29,5	19,0	3/4"
AOM1-06-14	3/8"	10	11/16" - 16	M14 x 1,5	32,0	19,0	3/4"
AOM1-06-14-00	3/8"	10	11/16" - 16	M14 x 1,5	29,0	19,0	3/4"
AOM1-06-18	3/8"	10	11/16" - 16	M18 x 1,5	36,0	24,0	15/16"
AOM1-06-22	3/8"	10	11/16" - 16	M22 x 1,5	38,0	27,0	1.1/16"
AOM1-08-14	1/2"	12	13/16" - 16	M14 x 1,5	35,0	22,0	7/8"
AOM1-08-16	1/2"	12	13/16" - 16	M16 x 1,5	30,0	22,0	7/8"
AOM1-08-18	1/2"	12	13/16" - 16	M18 x 1,5	38,0	24,0	15/16"
AOM1-08-22	1/2"	12	13/16" - 16	M22 x 1,5	39,0	27,0	1.1/16"
AOM1-10-22	5/8"	14/15/16	1" - 14	M22 x 1,5	42,0	27,0	1.1/16"
AOM1-10-27	5/8"	16	1" - 14	M27 x 2	47,0	32,0	1,1/4"
AOM1-12-22	3/4"	18/20	1.3/16" - 12	M22 x 1,5	45,0	32,0	1.1/4"
AOM1-12-27	3/4"	18/20	1.3/16" - 12	M27 x 2	49,0	32,0	1.1/4"
AOM1-12-33	3/4"	18/20	1.3/16" - 12	M33 x 2	51,5	41,0	1.5/8"
AOM1-12-48	3/4"	18/20	1.3/16" - 12	M48 x 2	57,0	55,0	2.3/16"
AOM1-16-22	1"	25	1.7/16" - 12	M22 x 1,5	48,5	41,0	1.5/8"
AOM1-16-27	1"	25	1.7/16" - 12	M27 x 2	52,0	41,0	1.5/8"

← AOM1

DRAFT

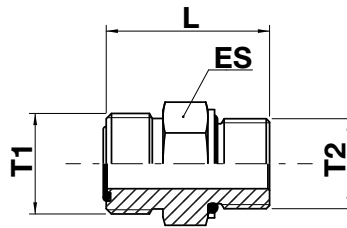
code	ø hose		thread		L	ES	
	inch	dn	T1	T2	mm	mm	 in
AOM1-16-33	1"	25	1.7/16" - 12	M33 x 2	52,0	41,0	1.5/8"
AOM1-20-27	1.1/4"	28/30/32	1.11/16" - 12	M27 x 2	54,0	46,0	1.13/16"
AOM1-20-33	1.1/4"	28/30/32	1.11/16" - 12	M33 x 2	54,0	46,0	1.13/16"
AOM1-20-42	1.1/4"	28/30/32	1.11/16" - 12	M42 x 2	54,5	50,0	2"

JIC
ORFS
 BSP
 NPTF
 OTHERS

←

AOMR

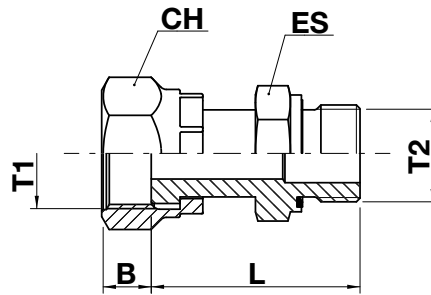
Male stud connector - ORFS end / metric thread - O-ring + retaining ring



JIC
ORFS
 BSP
 NPTF
 OTHERS

code	ø hose		thread		L mm	ES	
	inch	dn	T1	T2		mm	in
AOMR-04-12	1/4"	6	9/16" - 18	M12 x 1,5	28,5	17,0	11/16"
AOMR-04-14	1/4"	6	9/16" - 18	M14 x 1,5	29,5	19,0	3/4"
AOMR-06-14	3/8"	10	11/16" - 16	M14 x 1,5	32,0	19,0	3/4"
AOMR-06-16	3/8"	10	11/16" - 16	M16 x 1,5	33,5	22,0	7/8"
AOMR-08-18	1/2"	12	13/16" - 16	M18 x 1,5	38,0	24,0	15/16"
AOMR-08-22	1/2"	12	13/16" - 16	M22 x 1,5	39,5	27,0	1.1/16"
AOMR-12-27	3/4"	18/20	1.3/16" - 12	M27 x 2	48,5	32,0	1.1/4"
AOMR-16-42	1"	25	1.7/16" - 12	M42 x 2	52,0	50,0	2"

ORFS female swivel end / male BSPP end - ED seal (ISO 1179-2)



JIC
ORFS
 BSP
 NPTF
 OTHERS

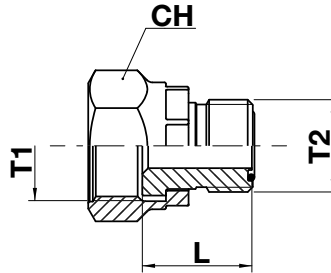
code	ø hose		thread		L	B	ES		CH	
	inch	dn	T1	T2			mm	in	mm	in
GOB-04-04	1/4"	6	9/16" - 18	1/4" - 19	38,0	8,0	19,0	3/4"	17,0	11/16"
GOB-06-04	3/8"	10	11/16" - 16	1/4" - 19	40,0	9,5	19,0	3/4"	22,0	7/8"
GOB-06-06	3/8"	10	11/16" - 16	3/8" - 19	40,0	11,3	22,0	7/8"	22,0	7/8"
GOB-08-04	1/2"	12	13/16" - 16	1/4" - 19	47,0	13,5	22,0	7/8"	24,0	15/16"
GOB-08-06	1/2"	12	13/16" - 16	3/8" - 19	47,0	14,0	22,0	7/8"	24,0	15/16"
GOB-08-08	1/2"	12	13/16" - 16	1/2" - 14	49,0	14,0	27,0	1.1/16"	24,0	15/16"
GOB-10-08	5/8"	14/15/16	1" - 14	1/2" - 14	43,2	14,8	27,0	1.1/16"	30,0	1.3/16"
GOB-12-08	3/4"	18/20	1.3/16" - 12	1/2" - 14	55,0	13,5	30,0	1.3/16"	36,0	1.7/16"
GOB-12-12	3/4"	18/20	1.3/16" - 12	3/4" - 14	57,0	13,5	32,0	1.1/4"	36,0	1.7/16"
GOB-16-16	1"	25	1.7/16" - 12	1" - 11	67,0	14,0	41,0	1.5/8"	41,0	1.5/8"
GOB-20-20	1.1/4"	28/30/32	1.11/16" - 12	1.1/4" - 11	69,0	14,5	50,0	2"	50,0	2"
GOB-24-24	1.1/2"	35/38	2" - 12	1.1/2" - 11	72,0	14,5	55,0	2.3/16"	60,0	2.3/8"

DOOB

Reducer - ORFS swivel female end / ORFS male end - type B

DRAFT

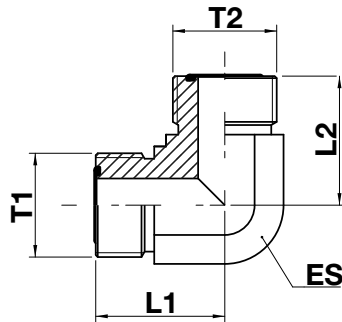
JIC
ORFS
 BSP
 NPTF
 OTHERS



code	ø hose		thread		L mm	CH	
	inch	dn	T1	T2		mm	↻ in
DOOB-06-04	3/8"	10	11/16" - 16	9/16" - 18	19,5	22,0	7/8"
DOOB-08-04	1/2"	12	13/16" - 16	9/16" - 18	22,0	24,0	15/16"
DOOB-08-06	1/2"	12	13/16" - 16	11/16" - 16	22,4	24,0	15/16"
DOOB-10-04	5/8"	14/15/16	1" - 14	9/16" - 18	23,0	30,0	1.3/16"
DOOB-10-08	5/8"	14/15/16	1" - 14	13/16" - 16	25,6	30,0	1.3/16"
DOOB-12-04	3/4"	20	1.3/16" - 12	9/16" - 18	25,0	36,0	1.7/16"
DOOB-12-08	3/4"	20	1.3/16" - 12	13/16" - 16	27,5	36,0	1.7/16"
DOOB-12-10	3/4"	20	1.3/16" - 12	1" - 14	30,4	36,0	1.7/16"
DOOB-16-12	1"	25	1.7/16" - 12	1.3/16" - 12	33,0	41,0	1.5/8"
DOOB-20-16	1.1/4"	28/30/32	1.11/16" - 12	1.7/16" - 12	38,5	50,0	2"

LAOO

90° union elbow - ORFS male ends

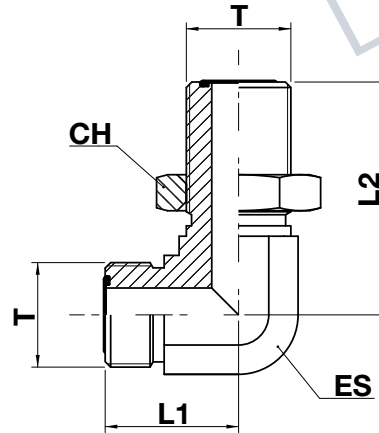


JIC
ORFS
 BSP
 NPTF
 OTHERS

code	ø hose		thread		L1 mm	L2 mm	ES	
	inch	dn	T1	T2			mm	↗ in
LAOO-04-04	1/4"	6	9/16" - 18	9/16" - 18	21,5	21,5	14,0	9/16"
LAOO-06-06	3/8"	10	11/16" - 16	11/16" - 16	25,0	25	17,0	11/16"
LAOO-08-08	1/2"	12	13/16" - 16	13/16" - 16	28,0	28	19,0	3/4"
LAOO-10-08	5/8"	14/15/16	1" - 14	13/16" - 16	33,5	33,5	27,0	1.1/16"
LAOO-10-10	5/8"	14/15/16	1" - 14	1" - 14	33,5	33,5	27,0	1.1/16"
LAOO-12-12	3/4"	18/20	1.3/16" - 12	1.3/16" - 12	37,5	37,5	30,0	1.3/16"
LAOO-16-12	1"	25	1.7/16" - 12	1.3/16" - 12	42,0	36,5	36,0	1.7/16"
LAOO-16-16	1"	25	1.7/16" - 12	1.7/16" - 12	43,2	43,2	36,0	1.7/16"
LAOO-20-20	1.1/4"	28/30/32	1.11/16" - 12	1.11/16" - 12	44,7	44,7	41,0	1.5/8"
LAOO-24-24	1.1/2"	35/38	2" - 12	2" - 12	50,0	50,0	50,0	2"

LAOOP

90° Bulkhead union elbow - ORFS ends

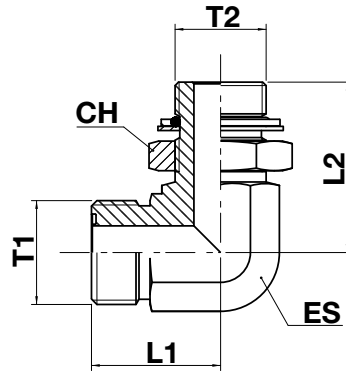


JIC
ORFS
 BSP
 NPTF
 OTHERS

code	ø hose		thread	L1	L2	ES		CH	
	inch	dn	T	mm	mm	mm	↗ in	mm	↗ in
LAOOP-04-04	1/4"	6	9/16" - 18	22,5	47,0	14,0	9/16"	22,0	7/8"
LAOOP-06-06	3/8"	10	11/16" - 16	26,0	52,0	17,0	11/16"	27,0	1.1/16"
LAOOP-08-08	1/2"	12	13/16" - 16	29,0	55,4	19,0	3/4"	30,0	1.3/16"
LAOOP-10-10	5/8"	14/15/16	1" - 14	34,5	63,0	27,0	1.1/16"	36,0	1.7/16"
LAOOP-12-12	3/4"	18/20	1.3/16" - 12	38,5	67,2	30,0	1.3/16"	41,0	1.5/8"
LAOOP-16-16	1"	25	1.7/16" - 12	42,5	71,00	36,0	1.7/16"	46,0	1.13/16"
LAOOP-20-20	1.1/4"	28/30/32	1.11/16" - 12	43,2	75,4	41,0	1.5/8"	50,0	2"

LAOBR

90° male stud elbow - ORFS end / adjustable BSPP end O-ring + retaining ring (ISO 1179-3)



JIC
ORFS
 BSP
 NPTF
 OTHERS

code	ø hose		thread		L1	L2	ES		CH	
	inch	dn	T1	T2			mm	mm	mm	↻ in
LAOBR-04-02	1/4"	6	9/16" - 18	1/8" - 28	21,5	30,0	14,0	9/16"	14,0	9/16"
LAOBR-04-04	1/4"	6	9/16" - 18	1/4" - 19	23,5	35,0	14,0	9/16"	19,0	3/4"
LAOBR-04-08	1/4"	6	9/16" - 18	3/8"-19	25,0	38,0	19,0	3/4"	19,0	3/4"
LAOBR-06-04	3/8"	10	11/16"-16	1/4"-19	25,0	36,0	19,0	3/4"	19,0	3/4"
LAOBR-06-06	3/8"	10	11/16" - 16	3/8" - 19	26,5	38,0	19,0	3/4"	22,0	7/8"
LAOBR-06-08	3/8"	10	11/16" - 16	1/2" - 14	29,0	49,0	27,0	1.1/16"	27,0	1.1/16"
LAOBR-08-04	1/2"	12	13/16" - 16	1/4" - 19	28,0	35,0	19,0	3/4"	19,0	3/4"
LAOBR-08-06	1/2"	12	13/16" - 16	3/8" - 19	28,0	38,0	19,0	3/4"	22,0	7/8"
LAOBR-08-08	1/2"	12	13/16" - 16	1/2" - 14	31,0	48,0	27,0	1.1/16"	27,0	1.1/16"
LAOBR-08-12	1/2"	12	13/16" - 16	3/4" - 14	31,5	50,5	27,0	1.1/16"	36,0	1.7/16"
LAOBR-10-06	5/8"	14/15/16	1" - 14	3/8" - 19	33,5	43,0	27,0	1.1/16"	22,0	7/8"
LAOBR-10-08	5/8"	14/15/16	1" - 14	1/2" - 14	33,5	48,0	27,0	1.1/16"	27,0	1.1/16"
LAOBR-10-12	5/8"	14/15/16	1" - 14	3/4" - 14	33,5	49,0	27,0	1.1/16"	27,0	1.1/16"
LAOBR-12-08	3/4"	18/20	1.3/16" - 12	1/2" - 14	37,5	49,0	30,0	1.3/16"	27,0	1.1/16"
LAOBR-12-12	3/4"	18/20	1.3/16" - 12	3/4" - 14	37,5	51,5	30,0	1.3/16"	36,0	1.7/16"
LAOBR-12-16	3/4"	18/20	1.3/16" - 12	1" - 11	41,5	58,00	36,0	1.7/16"	41,0	1.5/8"
LAOBR-16-12	1"	25	1.7/16" - 12	3/4" - 14	42,0	57,5	36,0	1.7/16"	36,0	1.7/16"
LAOBR-16-16	1"	25	1.7/16" - 12	1" - 11	42,0	58,0	36,0	1.7/16"	41,0	1.5/8"
LAOBR-16-20	1"	25	1.7/16" - 12	1.1/4" - 11	44,5	60,5	41,0	1.5/8"	50,0	2"

Adaptors

← LAOBR

DRAFT

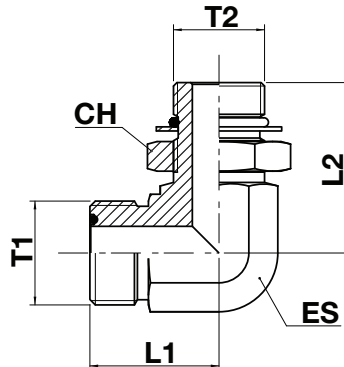
JIC
ORFS
 BSP
 NPTF
 OTHERS

code	ø hose		thread		L1	L2	ES		CH	
	inch	dn	T1	T2	mm	mm	mm	↻ in	mm	↻ in
LAOBR-20-16	1.1/4"	28/30/32	1.11/16" - 12	1" - 11	44,7	60,5	41,0	1.5/8"	41,0	1.5/8"
LAOBR-20-20	1.1/4"	28/30/32	1.11/16" - 12	1.1/4" - 11	45,0	60,5	41,0	1.5/8"	50,0	2"
LAOBR-24-24	1.1/2"	35/38	2" - 12	1.1/2" - 11	49,0	64,5	48,0	1.7/8"	55,0	2.3/16"

←

LAOE

90° male stud elbow - ORFS end / adjustable UN/UNF end - O-ring (ISO 11926)

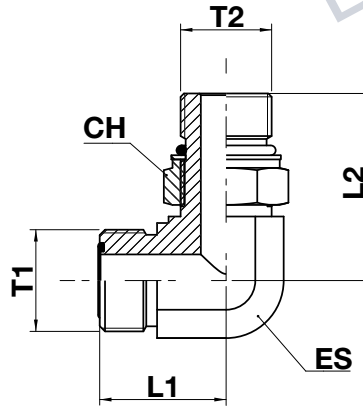


JIC
ORFS
 BSP
 NPTF
 OTHERS

code	ø hose		thread		L1	L2	ES		CH	
	inch	dn	T1	T2			mm	mm	mm	↻ in
LAOE-04-04	1/4"	6	9/16" - 18	7/16" - 20	21,6	32,8	14,0	9/16"	17,0	11/16"
LAOE-04-06	1/4"	6	9/16" - 18	9/16" - 18	23,4	36,8	19,0	3/4"	19,0	3/4"
LAOE-06-04	3/8"	10	11/16" - 16	7/16" - 20	25,0	35,0	19,0	3/4"	17,0	11/16"
LAOE-06-06	3/8"	10	11/16" - 16	9/16" - 18	25,0	35,0	19,0	3/4"	19,0	3/4"
LAOE-06-08	3/8"	10	11/16" - 16	3/4" - 16	26,5	40,6	19,0	3/4"	24,0	15/16"
LAOE-08-06	1/2"	12	13/16" - 16	9/16" - 18	28,0	36,6	19,0	3/4"	19,0	3/4"
LAOE-08-08	1/2"	12	13/16" - 16	3/4" - 16	28,0	40,0	19,0	3/4"	24,0	15/16"
LAOE-08-10	1/2"	12	13/16" - 16	7/8" - 14	43,2	50,0	27,0	1.1/16"	27,0	1.1/16"
LAOE-10-10	5/8"	14/15/16	1" - 14	7/8" - 14	33,3	50,0	27,0	1.1/16"	27,0	1.1/16"
LAOE-10-12	5/8"	14/15/16	1" - 14	1.1/16" - 12	35,8	55,1	30,0	1.3/16"	35,0	1.3/8"
LAOE-12-08	3/4"	18/20	1.3/16" - 12	3/4" - 16	37,3	46,7	30,0	1.3/16"	24,0	15/16"
LAOE-12-10	3/4"	18/20	1.3/16" - 12	7/8" - 14	37,3	51,0	30,0	1.3/16"	27,0	1.1/16"
LAOE-12-12	3/4"	18/20	1.3/16" - 12	1.1/16" - 12	37,3	55,1	30,0	1.3/16"	36,0	1.7/16"
LAOE-16-12	1"	25	1.7/16" - 12	1.5/16" - 12	41,7	58,9	36,0	1.7/16"	35,0	1.3/8"
LAOE-16-16	1"	25	1.7/16" - 12	1.5/16" - 12	41,7	59,5	36,0	1.7/16"	41,0	1.5/8"
LAOE-20-16	1.1/4"	28/30/32	1.11/16" - 12	1.5/16" - 12	44,7	62,2	41,0	1.5/8"	41,0	1.5/8"
LAOE-20-20	1.1/4"	28/30/32	1.11/16" - 12	1.5/8" - 12	44,7	62,2	41,0	1.5/8"	50,0	2"
LAOE-24-24	1.1/2"	35/38	2" - 12	1.7/8" - 12	48,8	65,8	48,0	1.7/8"	55,0	2.3/16"

LAOM1

90° male stud elbow - ORFS end / adjustable metric end - O-ring (ISO 6149)

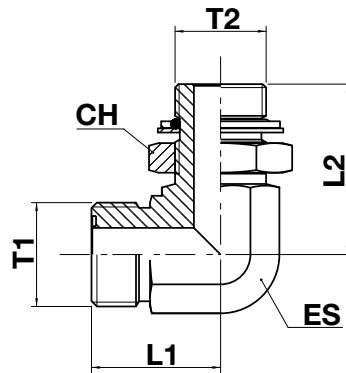


JIC
ORFS
 BSP
 NPTF
 OTHERS

code	ø hose		thread		L1	L2	ES		CH	
	inch	dn	T1	T2			mm	in	mm	in
LAOM1-04-12	1/4"	6	9/16" - 18	M12 x 1,5	21,5	33,0	17,0	11/16"	17,0	11/16"
LAOM1-04-14	1/4"	6	9/16" - 18	M14 x 1,5	24,0	35,5	17,0	11/16"	19,0	3/4"
LAOM1-06-14	3/8"	10	11/16" - 16	M14 x 1,5	25,0	36,0	19,0	3/4"	19,0	3/4"
LAOM1-08-14	1/2"	12	13/16" - 16	M14 x 1,5	28,0	35,5	19,0	3/4"	19,0	3/4"
LAOM1-08-18	1/2"	12	13/16" - 16	M18 x 1,5	28,0	41,0	19,0	3/4"	24,0	15/16"
LAOM1-08-22	1/2"	12	13/16" - 16	M22 x 1,5	31,5	49,0	27,0	1.1/16"	27,0	1.1/16"
LAOM1-10-18	5/8"	14/15/16	1" - 14	M18 x 1,5	33,5	41,0	27,0	1.1/16"	24,0	15/16"
LAOM1-10-22	5/8"	14/15/16	1" - 14	M22 x 1,5	33,5	49,0	27,0	1.1/16"	27,0	1.1/16"
LAOM1-12-22	3/4"	18/20	1.3/16" - 12	M22 x 1,5	37,5	50,0	30,0	1.3/16"	27,0	1.1/16"
LAOM1-12-27	3/4"	18/20	1.3/16" - 12	M27 x 2	37,5	55,0	30,0	1.3/16"	32,0	1.1/4"
LAOM1-16-27	1"	25	1.7/16" - 12	M27 x 2	42,0	59,0	36,0	1.7/16"	32,0	1.1/4"
LAOM1-20-42	1.1/4"	28/30/32	1.11/16" - 12	M42 x 2	44,5	63,0	41,0	1.5/8"	50,0	2"
LAOM1-24-48	1.1/2"	35/38	2" - 12	M48 x 2	49,0	71,5	48,0	1.7/8"	55,0	2.3/16"

LAOMR

90° male stud elbow - ORFS male / male metric end - O-ring + retaining ring

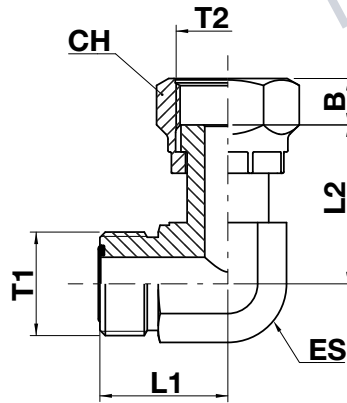


JIC
ORFS
 BSP
 NPTF
 OTHERS

code	ø hose		thread		L1	L2	ES		CH	
	inch	dn	T1	T2			mm	in	mm	in
LAOMR-04-12	1/4"	6	9/16" - 18	M12 x 1,5	21,5	33,0	14,0	9/16"	17,0	11/16"
LAOMR-04-14	1/4"	6	9/16" - 18	M14 x 1,5	21,6	33,0	14,0	9/16"	19,0	3/4"
LAOMR-06-16	3/8"	10	11/16" - 16	M16 x 1,5	25,0	37,5	19,0	3/4"	22,0	7/8"
LAOMR-08-18	1/2"	12	13/16" - 16	M18 x 1,5	28,0	41,0	19,0	3/4"	24,0	15/16"
LAOMR-08-22	1/2"	12	13/16" - 16	M22 x 1,5	31,5	49,0	27,0	1.1/16"	27,0	1.1/16"
LAOMR-10-18	5/8"	14/15/16	1" - 14	M18 x 1,5	43,2	41,0	27,0	1.1/16"	24,0	15/16"
LAOMR-12-22	3/4"	18/20	1.3/16" - 12	M22 x 1,5	37,5	49,5	30,0	1.3/16"	27,0	1.1/16"
LAOMR-12-27	3/4"	18/20	1.3/16" - 12	M27 x 2	37,5	55,5	30,0	1.3/16"	32,0	1.1/4"
LAOMR-16-33	1"	25	1.7/16" - 12	M33 x 2	42,0	59,5	36,0	1.7/16"	41,0	1.5/8"
LAOMR-20-33	1.1/4"	28/30/32	1.11/16" - 12	M33 x 2	45,0	59,5	41,0	1.5/8"	41,0	1.5/8"
LAOMR-20-42	1.1/4"	28/30/32	1.11/16" - 12	M42 x 2	45,0	63,0	41,0	1.5/8"	50,0	2"
LAOMR-24-48	1.1/2"	35/38	2" - 12	M48 x 2	49,0	71,5	48,0	1.7/8"	55,0	2.3/16"

LG00

90° swivel nut elbow - male ORFS end / swivel female ORFS end

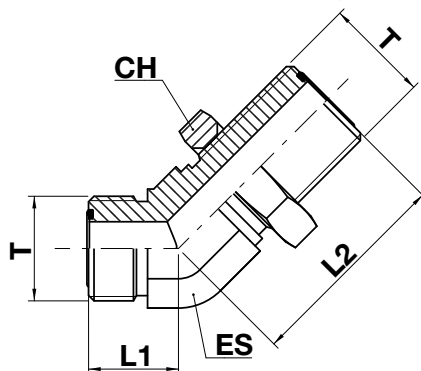


JIC
ORFS
 BSP
 NPTF
 OTHERS

code	ø hose		thread	L1	L2	B	ES		CH	
	inch	dn	T	mm	mm	mm	mm	↻ in	mm	↻ in
LG00-04-04	1/4"	6	9/16" - 18	21,6	26,4	8,3	14,0	9/16"	17,0	11/16"
LG00-06-06	3/8"	10	11/16" - 16	24,9	29,2	8,5	19,0	3/4"	22,0	7/8"
LG00-08-08	1/2"	12	13/16" - 16	27,9	37,9	10,3	19,0	3/4"	24,0	15/16"
LG00-10-10	5/8"	14/15/16	1" - 14	33,3	41,2	12,2	27,0	1.1/16"	30,0	1.3/16"
LG00-12-12	3/4"	18/20	1.3/16" - 12	37,3	46,3	13,5	30,0	1.3/16"	36,0	1.7/16"
LG00-16-16	1"	25	1.7/16" - 12	41,7	53,3	14,0	36,0	1.7/16"	41,0	1.5/8"
LG00-20-20	1.1/4"	28/30/32	1.11/16" - 12	44,7	58,2	14,5	41,0	1.5/8"	50,0	2"
LG00-24-24	1.1/2"	35/38	2" - 12	48,8	61,2	15,0	48,0	1.7/8"	60,0	2.3/8"

VAOOP

45° bulkhead union elbow - male ORFS ends (complete with locknut)

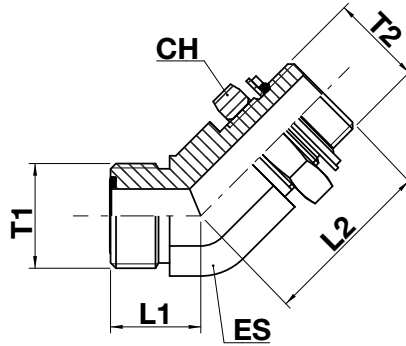


JIC
ORFS
 BSP
 NPTF
 OTHERS

code	ø hose		thread	L1	L2	ES		CH	
	inch	dn	T	mm	mm	mm	↗ in	mm	↗ in
VAOOP-04-04	1/4"	6	9/16" - 18	16,0	43,9	14,0	9/16"	22,0	7/8"
VAOOP-06-06	3/8"	10	11/16" - 16	18,8	48,5	19,0	3/4"	27,0	1.1/16"
VAOOP-08-08	1/2"	12	13/16" - 16	20,3	51,1	19,0	3/4"	30,0	1.3/16"
VAOOP-10-10	5/8"	14/15/16	1" - 14	23,5	56,6	27,0	1.1/16"	36,0	1.7/16"
VAOOP-12-12	3/4"	18/20	1.3/16" - 12	25,9	60,7	30,0	1.3/16"	41,0	1.5/8"
VAOOP-16-16	1"	25	1.7/16" - 12	30,0	65,3	36,0	1.7/16"	46,0	1.13/16"
VAOOP-20-20	1.1/4"	28/30/32	1.11/16" - 12	32,0	67,1	41,0	1.5/8"	50,0	2"

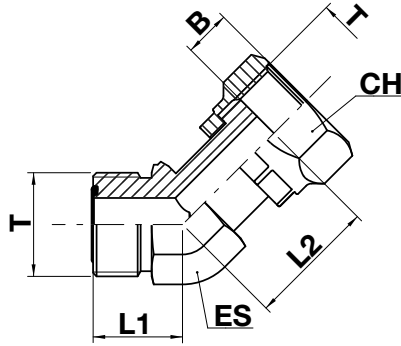
VAOBR

45° male stud elbow - ORFS end / BSPP end O-ring + retaining ring (ISO 1179-3)



JIC
ORFS
 BSP
 NPTF
 OTHERS

code	ø hose		thread		L1	L2	ES		CH	
	inch	dn	T1	T2			mm	in	mm	in
VAOBR-04-04	1/4"	6	9/16" - 18	1/4" - 19	17,5	31,0	14,0	9/16"	19,0	3/4"
VAOBR-06-04	3/8"	10	11/16" - 16	1/4" - 19	19,0	32,0	19,0	3/4"	19,0	3/4"
VAOBR-06-06	3/8"	10	11/16" - 16	3/8" - 19	19,0	33,0	19,0	3/4"	22,0	7/8"
VAOBR-08-06	1/2"	12	13/16" - 16	3/8" - 19	20,5	33,5	19,0	3/4"	22,0	7/8"
VAOBR-10-08	5/8"	14/15/16	1" - 14	1/2" - 14	23,5	42,0	27,0	1.1/16"	27,0	1.1/16"
VAOBR-12-12	3/4"	18/20	1.3/16" - 12	3/4" - 14	26,0	50,0	30,0	1.3/16"	36,0	1.7/16"
VAOBR-16-16	1"	25	1.7/16" - 12	1" - 11	30,0	52,5	36,0	1.7/16"	41,0	1.5/8"
VAOBR-20-20	1.1/4"	28/30/32	1.11/16" - 12	1.1/4" - 11	37,0	53,5	48,0	1.7/8"	55,0	2.3/16"

45° swivel nut elbow - male ORFS end / swivel female ORFS end

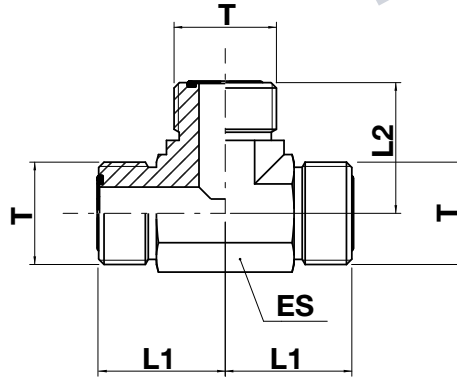
JIC
ORFS
 BSP
 NPTF
 OTHERS

code	ø hose		thread	L1	L2	B	ES		CH	
	inch	dn	T	mm	mm	mm	mm	↻ in	mm	↻ in
VG00-04-04	1/4"	6	9/16" - 18	16,0	24,0	6,6	14,0	9/16"	17,0	11/16"
VG00-06-06	3/8"	10	11/16" - 16	19,0	27,0	7,0	19,0	3/4"	22,0	7/8"
VG00-08-08	1/2"	12	13/16" - 16	20,5	33,5	8,6	19,0	3/4"	24,0	15/16"
VG00-10-10	5/8"	14/15/16	1" - 14	23,5	36,5	11,5	27,0	1.1/16"	30,0	1.3/16"
VG00-12-12	3/4"	18/20	1.3/16" - 12	26,0	37,6	12,6	30,0	1.3/16"	36,0	1.7/16"
VG00-16-16	1"	25	1.7/16" - 12	30,0	47,5	12,5	36,0	1.7/16"	41,0	1.5/8"
VG00-20-20	1.1/4"	28/30/32	1.11/16" - 12	32,0	50,3	12,5	41,0	1.5/8"	50,0	2"

T10

Union tee - male ORFS ends

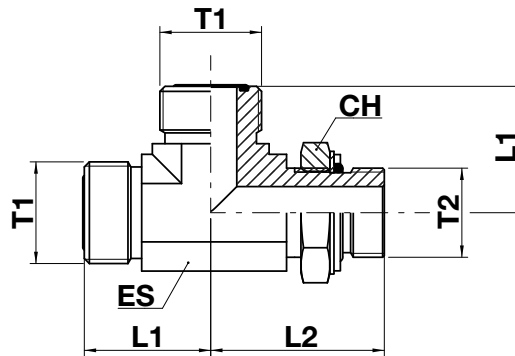
JIC
ORFS
 BSP
 NPTF
 OTHERS



code	ø hose T1		ø hose T2		thread	L1	L2	ES	
	inch	dn	in	mm	T	mm	mm	mm	↻ in
T10-04-04-04	1/4"	6	1/4"	6	9/16" - 18	21,6	21,6	14,0	9/16"
T10-06-06-06	3/8"	10	3/8"	10	11/16" - 16	25,0	25,0	19,0	3/4"
T10-08-08-08	1/2"	12	1/2"	12	13/16" - 16	28,0	28,0	19,0	3/4"
T10-10-10-10	5/8"	14/15/16	5/8"	14/15/16	1" - 14	33,5	33,5	27,0	1.1/16"
T10-12-12-08	3/4"	18/20	1/2"	12	1.3/16" - 12	37,3	34,3	30,0	1.3/16"
T10-12-12-12	3/4"	18, 20	3/4"	18/20	1.3/16" - 12	37,5	37,5	30,0	1.3/16"
T10-16-16-16	1"	25	1"	25	1.7/16" - 12	41,5	41,5	36,0	1.7/16"
T10-20-20-20	1.1/4"	28/30/32	1.1/4"	28/30/32	1.11/16" - 12	44,7	44,7	41,0	1.5/8"
T10-24-24-24	1.1/2"	35/38	1.1/2"	35/38	2" - 12	48,8	48,8	60,0	2.3/8"

T2OBR

Male stud run tee - ORFS ends / adjustable BSPP end O-ring + retaining ring (ISO 1179-3)

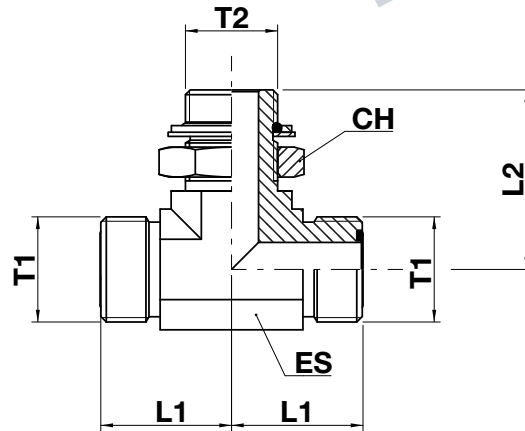


JIC
ORFS
 BSP
 NPTF
 OTHERS

code	ø hose		thread		L1	L2	ES		CH	
	inch	mm	T1	T2			mm	in	mm	in
T2OBR-04-04-04	1/4"	6	9/16" - 18	1/4" - 19	23,5	35,0	14,0	9/16"	19,0	3/4"
T2OBR-06-04-06	3/8"	10	11/16" - 16	1/4" - 19	25,0	36,0	19,0	3/4"	19,0	3/4"
T2OBR-06-06-06	3/8"	10	11/16" - 16	3/8" - 19	26,5	38,0	19,0	3/4"	22,0	7/8"
T2OBR-08-06-08	1/2"	12	13/16" - 16	3/8" - 19	28,0	36,5	19,0	3/4"	22,0	7/8"
T2OBR-08-08-08	1/2"	12	13/16" - 16	1/2" - 14	31,0	48,0	22,0	7/8"	27,0	1.1/16"
T2OBR-10-08-10	5/8"	14/15/16	1" - 14	1/2" - 14	33,5	48,0	27,0	1.1/16"	27,0	1.1/16"
T2OBR-12-12-12	3/4"	18/20	1.3/16" - 12	3/4" - 14	37,5	51,5	30,0	1.3/16"	36,0	1.7/16"
T2OBR-20-20-20	1.1/4"	28/30/32	1.11/16" - 12	1.1/4" - 11	45,0	60,5	41,0	1.5/8"	50,0	2"
T2OBR-24-24-24	1.1/2"	35/38	2" - 12	2" - 12	49,0	64,5	48,8	48,8	60,0	2.3/8"

T3OBR

Male stud branch tee - ORFS ends / adjustable BSPP end O-ring + retaining ring (ISO 1179-3)

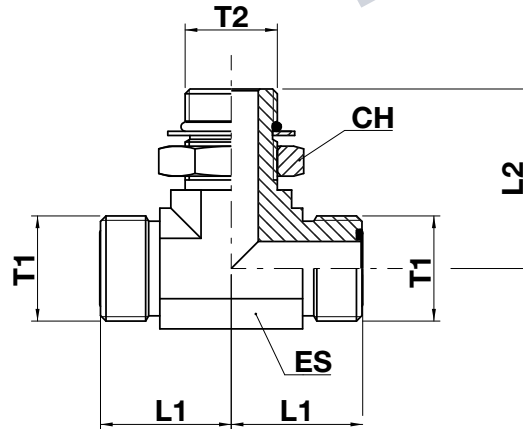


JIC
ORFS
 BSP
 NPTF
 OTHERS

code	ø hose		thread		L1	L2	ES		CH	
	inch	dn	T1	T2			mm	↻ in	mm	↻ in
T3OBR-04-04-04	1/4"	6	9/16" - 18	1/4" - 19	25,0	35,0	14,0	9/16"	19,0	3/4"
T3OBR-06-06-04	3/8"	10	11/16" - 16	1/4" - 19	25,0	36,0	14,0	9/16"	19,0	3/4"
T3OBR-06-06-06	3/8"	10	11/16" - 16	3/8" - 19	26,5	38,0	19,0	3/4"	22,0	7/8"
T3OBR-08-08-06	1/2"	12	13/16" - 16	3/8" - 19	28,0	38,0	19,0	3/4"	22,0	7/8"
T3OBR-08-08-08	1/2"	12	13/16" - 16	1/2" - 14	31,0	48,0	27,0	1.1/16"	27,0	1.1/16"
T3OBR-10-10-08	5/8"	14/15/16	1" - 14	1/2" - 14	33,5	48,0	27,0	1.1/16"	27,0	1.1/16"
T3OBR-12-12-12	3/4"	18/20	1.3/16" - 12	3/4" - 14	37,5	51,5	30,0	1.3/16"	36,0	1.7/16"
T3OBR-20-20-20	1.1/4"	28/30/32	1.11/16" - 12	1.1/4" - 11	45,0	60,5	41,0	1.5/8"	50,0	2"
T3OBR-24-24-24	1.1/2"	35/38	2" - 12	1.1/2" - 11	49,0	64,5	48,0	1.7/8"	55,0	2.3/16"

T3OM1

Male stud branch tee - ORFS ends / adjustable metric end - O-ring (ISO 6149)



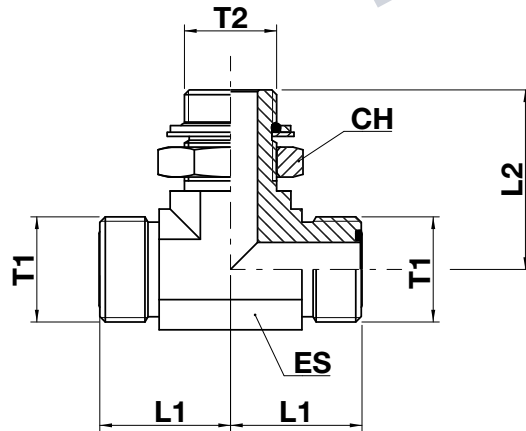
JIC
ORFS
 BSP
 NPTF
 OTHERS

code	ø hose		thread		L1	L2	ES		CH	
	inch	dn	T1	T2			mm	↻ in	mm	↻ in
T3OM1-04-04-12	1/4"	6	9/16" - 18	M12 x 1,5	21,5	32,5	14,0	9/16"	17,0	11/16"
T3OM1-06-06-14	3/8"	10	11/16" - 16	M14 x 1,5	25,0	36,0	19,0	3/4"	19,0	3/4"
T3OM1-08-08-18	1/2"	12	13/16" - 16	M18 x 1,5	28,0	40,5	19,0	3/4"	24,0	15/16"
T3OM1-10-10-22	5/8"	14/15/16	1" - 14	M22 x 1,5	33,5	50,0	27,0	1.1/16"	27,0	1.1/16"
T3OM1-12-12-27	3/4"	18/20	1.3/16" - 12	M27 x 2	37,5	55,0	30,0	1.3/16"	32,0	1.1/4"
T3OM1-16-16-33	1"	25	1.7/16" - 12	M33 x 2	41,5	60,0	36,0	1.7/16"	41,0	1.5/8"
T3OM1-20-20-42	1.1/4"	28/30/32	1.11/16" - 12	M42 x 2	45,0	62,0	41,0	1.5/8"	50,0	2"

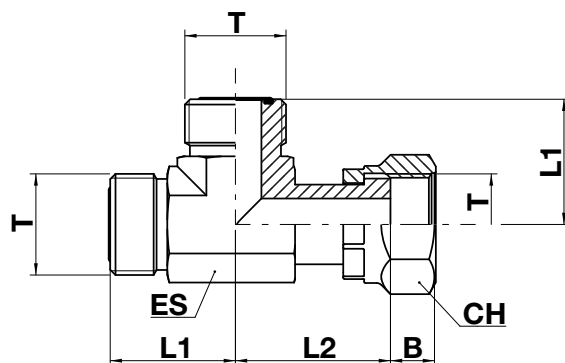
T3OMR

Male stud branch tee - ORFS ends / adjustable male metric end - O-ring + retaining ring

JIC
ORFS
 BSP
 NPTF
 OTHERS



code	ø hose		thread		L1	L2	ES		CH	
	inch	dn	T1	T2			mm	↗ in	mm	↗ in
T3OMR-04-04-12	1/4"	6	9/16" - 18	M12 x 1,5	21,5	32,2	14,0	9/16"	17,0	11/16"
T3OMR-06-06-16	3/8"	10	11/16" - 16	M16 x 1,5	25	37,0	19,0	3/4"	22,0	7/8"
T3OMR-08-08-18	1/2"	12	13/16" - 16	M18 x 1,5	28,0	40,5	19,0	3/4"	24,0	15/16"
T3OMR-10-10-22	5/8"	14/15/16	1" - 14	M22 x 1,5	33,5	49,0	27,0	1.1/16"	27,0	1.1/16"
T3OMR-12-12-27	3/4"	18/20	1.3/16" - 12	M27 x 2	37,5	55,0	30,0	1.3/16"	32,0	1.1/4"
T3OMR-16-16-33	1"	25	1.7/16" - 12	M33 x 2	42,0	60,0	36,0	1.7/16"	41,0	1.5/8"
T3OMR-20-20-42	1.1/4"	28/30/32	1.11/16" - 12	M42 x 2	45,0	62,0	41,0	1.5/8"	50,0	2"

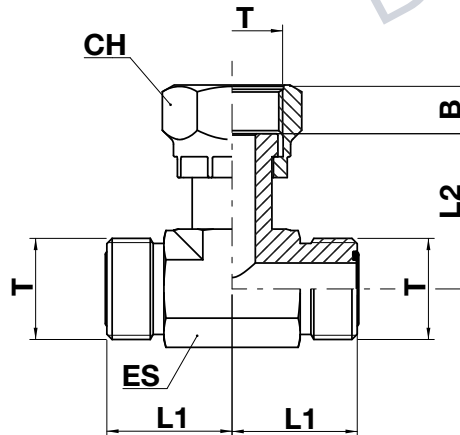
T40**Swivel nut run tee - male ORFS ends / ORFS female swivel end**

JIC
ORFS
 BSP
 NPTF
 OTHERS

code	ø hose		thread	L1	L2	B	ES		CH	
	inch	dn	T	mm	mm	mm	mm	↻ in	mm	↻ in
T40-04-04-04	1/4"	6	9/16" - 18	21,6	26,0	8,3	14,0	9/16"	17,0	11/16"
T40-06-06-06	3/8"	10	11/16" - 16	24,9	29,2	8,5	19,0	3/4"	22,0	7/8"
T40-08-08-08	1/2"	12	13/16" - 16	28,0	37,9	10,3	19,0	3/4"	24,0	15/16"
T40-10-10-10	5/8"	14/15/16	1" - 14	33,5	41,0	13,2	27,0	1.1/16"	30,0	1.3/16"
T40-12-12-12	3/4"	18/20	1.3/16" - 12	37,3	46,2	13,5	30,0	1.3/16"	36,0	1.7/16"
T40-16-16-16	1"	25	1.7/16" - 12	41,7	53,3	14,0	36,0	1.7/16"	41,0	1.5/8"
T40-20-20-20	1.1/4"	28/30/32	1.11/16" - 12	44,7	58,2	14,5	41,0	1.5/8"	50,0	2"

T50

Swivel nut branch tee - male ORFS ends / ORFS swivel female end

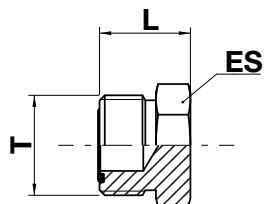


JIC
ORFS
 BSP
 NPTF
 OTHERS

code	ø hose		thread	L1	L2	B	ES		CH	
	inch	dn	T	mm	mm	mm	mm	↻ in	mm	↻ in
T50-04-04-04	1/4"	6	9/16" - 18	21,6	26,4	8,3	14,0	9/16"	17,0	11/16"
T50-06-06-06	3/8"	10	11/16" - 16	25,0	29,2	9,5	19,0	3/4"	22,0	7/8"
T50-08-08-08	1/2"	12	13/16" - 16	28,0	38,0	10,8	19,0	3/4"	24,0	15/16"
T50-10-10-10	5/8"	14/15/16	1" - 14	33,3	41,0	13,2	27,0	1.1/16"	30,0	1.3/16"
T50-12-12-12	3/4"	18/20	1.3/16" - 12	37,3	46,3	13,5	30,0	1.3/16"	36,0	1.7/16"
T50-16-16-16	1"	25	1.7/16" - 12	41,7	53,3	14,0	36,0	1.7/16"	41,0	1.5/8"
T50-20-20-20	1.1/4"	28/30/32	1.11/16" - 12	44,7	58,2	14,5	41,0	1.5/8"	50,0	2"

PAO**Male ORFS plug**

DRAFT

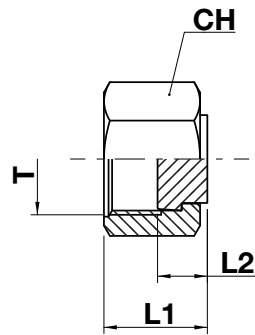


JIC
ORFS
 BSP
 NPTF
 OTHERS

code	thread	L mm	ES	
	T		mm	in
PAO-04	9/16" - 18	16,7	17,0	11/16"
PAO-06	11/16" - 16	19,0	19,0	3/4"
PAO-08	13/16" - 16	21,7	22,0	7/8"
PAO-10	1" - 14	25,9	27,0	1.1/16"
PAO-12	1.3/16" - 12	27,4	32,0	1.1/4"
PAO-16	1.7/16" - 12	27,9	41,0	1.5/8"
PAO-20	1.11/16" - 12	27,9	46,0	1.13/16"

ORFS female swivel cap

JIC
ORFS
 BSP
 NPTF
 OTHERS



2 or 4 points punched to avoid cap slip off

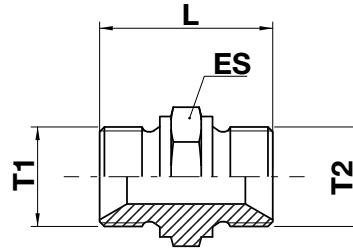
code	ø hose		thread	L1	L2	CH	
	inch	dn	T	mm	mm	mm	↻ in
COX-04	1/4"	6	9/16" - 18	14,8	8,9	19,0	3/4"
COX-06	3/8"	10	11/16" - 16	17,0	10,4	22,0	7/8"
COX-08	1/2"	12	13/16" - 16	21,0	11,9	24,0	15/16"
COX-10	5/8"	14/15/16	1" - 14	26,0	13,5	30,0	1.3/16"
COX-12	3/4"	18/20	1.3/16" - 12	26,0	15,5	36,0	1.7/16"
COX-16	1"	25	1.7/16" - 12	27,8	16,0	41,0	1.5/8"
COX-24	1.1/2"	35/38	2" - 12	30,0	13,5	60,0	2.3/8"

BSP

British standard 60° connectors

ABBDIN

Union BSPP male 60° cone ends



JIC
ORFS
BSP
NPTF
OTHERS

code	ø hose		thread		L mm	ES	
	inch	dn	T1	T2		mm	↻ in
ABBDIN-02-02	1/8"	3	1/8" - 28	1/8" - 28	25,0	14,0	9/16"
ABBDIN-04-02	1/4"	6	1/4" - 19	1/8" - 28	28,5	19,0	3/4"
ABBDIN-04-04	1/4"	6	1/4" - 19	1/4" - 19	32,0	19,0	3/4"
ABBDIN-06-02	3/8"	10	3/8" - 19	1/8" - 28	30,0	22,0	7/8"
ABBDIN-06-04	3/8"	10	3/8" - 19	1/4" - 19	33,5	22,0	7/8"
ABBDIN-06-06	3/8"	10	3/8" - 19	3/8" - 19	35,0	22,0	7/8"
ABBDIN-08-04	1/2"	12	1/2" - 14	1/4" - 19	38,0	27,0	1.1/16"
ABBDIN-08-06	1/2"	12	1/2" - 14	3/8" - 19	37,5	27,0	1.1/16"
ABBDIN-08-08	1/2"	12	1/2" - 14	1/2" - 14	40,0	27,0	1.1/16"
ABBDIN-10-08	5/8"	16	5/8" - 14	1/2" - 14	43,0	30,0	1,3/16"
ABBDIN-10-10	5/8"	16	5/8" - 14	5/8" - 14	43,0	30,0	1,3/16"
ABBDIN-12-04	3/4"	20	3/4" - 14	1/4" - 19	41,0	32,0	1.1/4"
ABBDIN-12-06	3/4"	20	3/4" - 14	3/8" - 19	41,0	32,0	1.1/4"
ABBDIN-12-08	3/4"	20	3/4" - 14	1/2" - 14	43,5	32,0	1.1/4"
ABBDIN-12-10	3/4"	20	3/4" - 14	5/8" - 14	45,5	32,0	1.1/4"
ABBDIN-12-12	3/4"	20	3/4" - 14	3/4" - 14	45,5	32,0	1.1/4"
ABBDIN-16-06	1"	25	1" - 11	3/8" - 19	46,0	41,0	1.5/8"
ABBDIN-16-08	1"	25	1" - 11	1/2" - 14	47,5	41,0	1.5/8"
ABBDIN-16-12	1"	25	1" - 11	3/4" - 14	49,5	41,0	1.5/8"

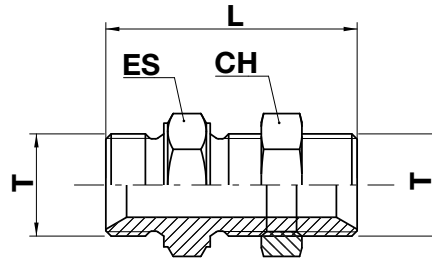
← **ABBDIN**

DRAFT

code	ø hose		thread		L	ES	
	inch	dn	T1	T2	mm	mm	↻ in
ABBDIN-16-16	1"	25	1" - 11	1" - 11	52,5	41,0	1.5/8"
ABBDIN-20-08	1.1/4"	28/30/32	1.1/4" - 11	1/2" - 14	51,5	50,0	2"
ABBDIN-20-12	1.1/4"	28/30/32	1.1/4" - 11	3/4" - 14	53,5	50,0	2"
ABBDIN-20-16	1.1/4"	28/30/32	1.1/4" - 11	1" - 11	57,0	50,0	2"
ABBDIN-20-20	1.1/4"	28/30/32	1.1/4" - 11	1.1/4" - 11	58,0	50,0	2"
ABBDIN-24-12	1.1/2"	38	1.1/2" - 11	3/4" - 14	55,5	55,0	2.3/16"
ABBDIN-24-16	1.1/2"	38	1.1/2" - 11	1" - 11	58,5	55,0	2.3/16"
ABBDIN-24-20	1.1/2"	38	1.1/2" - 11	1.1/4" - 11	59,5	55,0	2.3/16"
ABBDIN-24-24	1.1/2"	38	1.1/2" - 11	1.1/2" - 11	61,5	55,0	2.3/16"
ABBDIN-32-20	2"	51	2" - 11	1.1/4" - 11	63,0	70,0	2.3/4"
ABBDIN-32-24	2"	51	2" - 11	1.1/2" - 11	65,0	70,0	2.3/4"
ABBDIN-32-32	2"	51	2" - 11	2" - 11	68,5	70,0	2.3/4"
ABBDIN-40-32	2.1/2"	63	2.1/2" - 11	2" - 11	62,0	75,0	2.15/16"
ABBDIN-40-40	2.1/2"	63	2.1/2" - 11	2.1/2" - 11	65,0	75,0	2.15/16"
ABBDIN-48-48	3"	76	3" - 11	3" - 11	69,0	90,0	3.9/16"

JIC
ORFS
BSP
NPTF
OTHERS



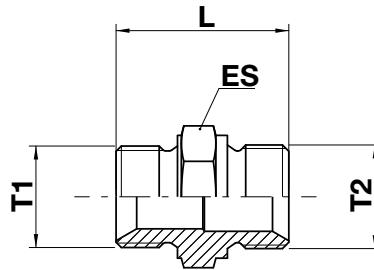
Bulkhead union BSPP 60° cone ends (complete with locknut)

JIC
ORFS
BSP
NPTF
OTHERS

code	ø hose		thread	L	ES		CH	
	inch	dn	T	mm	mm	↗ in	mm	↗ in
ABBP-02-02	1/8"	3	1/8"-28	41,5	14,0	9/16"	14,0	9/16"
ABBP-04-04	1/4"	6	1/4"-19	46,0	19,0	3/4"	19,0	3/4"
ABBP-06-06	3/8"	10	3/8"-19	52,0	22,0	7/8"	22,0	7/8"
ABBP-06-06L	3/8"	10	3/8"-19	68,0	22,0	7/8"	22,0	7/8"
ABBP-08-08	1/2"	12	1/2"-14	59,0	27,0	1.1/16"	27,0	1.1/16"
ABBP-08-08L	1/2"	12	1/2"-14	75,5	27,0	1.1/16"	27,0	1.1/16"
ABBP-10-10	5/8"	16	5/8" - 14	63,0	30,0	1,3/16"	30,0	1,3/16"
ABBP-12-12	3/4"	20	3/4"-14	66,0	32,0	1.1/4"	32,0	1.1/4"
ABBP-12-12L	3/4"	20	3/4"-14	85,0	32,0	1.1/4"	32,0	1.1/4"
ABBP-16-16	1"	25	1" - 11	75,0	41,0	1.5/8"	41,0	1.5/8"
ABBP-20-20	1.1/4"	28/30/32	1.1/4" - 11	83,0	50,0	2"	50,0	2"
ABBP-24-24	1.1/2"	38	1.1/2" - 11	93,0	55,0	2.3/16"	55,0	2.3/16"
ABBP-32-32	2"	51	2" - 11	100,0	70,0	2.3/4"	70,0	2.3/4"

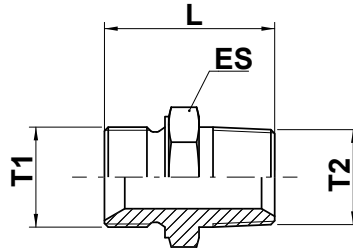
ABMDIN

Male stud connector - BSPP 60° cone end / male metric thread 60° cone end



JIC
ORFS
BSP
NPTF
OTHERS

code	ø hose		thread		L mm	ES	
	inch	dn	T1	T2		mm	in
ABMDIN-04-10	1/4"	6	1/4" - 19	M10 x 1	32,0	14,0	9/16"
ABMDIN-04-12	1/4"	6	1/4" - 19	M12 x 1,5	33,0	19,0	3/4"
ABMDIN-04-14	1/4"	6	1/4" - 19	M14 x 1,5	33,0	19,0	3/4"
ABMDIN-04-16	1/4"	6	1/4" - 19	M16 x 1,5	33,5	22,0	7/8"
ABMDIN-04-18	1/4"	6	1/4" - 19	M18 x 1,5	32,0	24,0	15/16"
ABMDIN-06-12	3/8"	10	3/8" - 19	M12 x 1,5	34,0	22,0	7/8"
ABMDIN-06-14	3/8"	10	3/8" - 19	M14 x 1,5	34,5	22,0	7/8"
ABMDIN-06-16	3/8"	10	3/8" - 19	M16 x 1,5	34,0	22,0	7/8"
ABMDIN-06-18	3/8"	10	3/8" - 19	M18 x 1,5	36,0	24,0	15/16"
ABMDIN-06-20	3/8"	10	3/8" - 19	M20 x 1,5	36,0	27,0	1.1/16"
ABMDIN-06-22	3/8"	10	3/8" - 19	M22 x 1,5	36,0	27,0	1.1/16"
ABMDIN-08-16	1/2"	12	1/2" - 14	M16 x 1,5	36,0	27,0	1.1/16"
ABMDIN-08-18	1/2"	12	1/2" - 14	M18 x 1,5	38,5	27,0	1.1/16"
ABMDIN-08-20	1/2"	12	1/2" - 14	M20 x 1,5	37,0	27,0	1.1/16"
ABMDIN-08-22	1/2"	12	1/2" - 14	M22 x 1,5	41,0	27,0	1.1/16"
ABMDIN-10-18	5/8"	14/15/16	5/8"	M18 x 1,5	40,0	30,0	1.3/16"
ABMDIN-10-22	5/8"	14/15/16	5/8"	M22 x 1,5	40,0	32,0	1.1/4"
ABMDIN-12-18	3/4"	20	3/4" - 14	M18 x 1,5	38,5	32,0	1.1/4"
ABMDIN-12-22	3/4"	20	3/4" - 14	M22 x 1,5	42,0	32,0	1.1/4"
ABMDIN-12-27	3/4"	20	3/4" - 14	M27 x 1,5	45,0	32,0	1.1/4"

Male stud connector - BSPP 60° cone end / male BSPT thread

JIC
ORFS
BSP
NPTF
OTHERS

code	ø hose		thread		L mm	ES	
	inch	dn	T1	T2		mm	in
ABT-02-02	1/8"	3	1/8"-28	1/8"-28	26,5	14,0	9/16"
ABT-04-02	1/4"	6	1/4"-19	1/8"-28	29,5	19,0	3/4"
ABT-04-04	1/4"	6	1/4"-19	1/4"-19	32,5	19,0	3/4"
ABT-04-06	1/4"	6	1/4"-19	3/8"-19	33,5	19,0	3/4"
ABT-04-08	1/4"	6	1/4"-19	1/2"-14	39,0	22,0	7/8"
ABT-06-04	3/8"	10	3/8"-19	1/4"-19	35,0	22,0	7/8"
ABT-06-06	3/8"	10	3/8"-19	3/8"-19	36,0	22,0	7/8"
ABT-06-08	3/8"	10	3/8"-19	1/2"-14	39,0	22,0	7/8"
ABT-08-04	1/2"	12	1/2"-14	1/4"-19	39,0	27,0	1.1/16"
ABT-08-06	1/2"	12	1/2"-14	3/8"-19	40,0	27,0	1.1/16"
ABT-08-08	1/2"	12	1/2"-14	1/2"-14	44,0	27,0	1.1/16"
ABT-08-12	1/2"	12	1/2"-14	3/4"-14	45,0	30,0	1.3/16"
ABT-08-16	1/2"	12	1/2"-14	1" - 11	50,5	36,0	1.7/16"
ABT-10-10	5/8"	14/15/16	5/8"	5/8"	47,0	30,0	1.3/16"
ABT-12-08	3/4"	20	3/4"-14	1/2"-14	47,0	32,0	1.1/4"
ABT-12-12	3/4"	20	3/4"-14	3/4"-14	45,0	32,0	1.1/4"
ABT-12-16	3/4"	20	3/4"-14	1" - 11	53,0	36,0	1.7/16"
ABT-16-12	1"	25	1" - 11	3/4"-14	53,0	41,0	1.5/8"
ABT-16-16	1"	25	1" - 11	1" - 11	57,0	41,0	1.5/8"

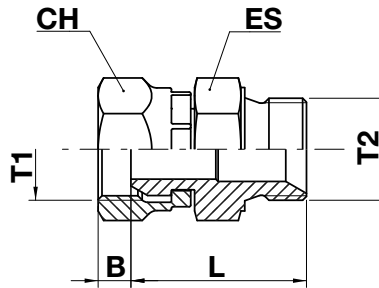
DRAFT

code	ø hose		thread		L	ES	
	inch	dn	T1	T2	mm	mm	↻ in
ABT-16-20	1"	25	1" - 11	1.1/4" - 11	58,0	46,0	1.13/16"
ABT-20-16	1.1/4"	28/30/32	1.1/4" - 11	1" - 11	60,0	50,0	2"
ABT-20-20	1.1/4"	28/30/32	1.1/4" - 11	1.1/4" - 11	61,0	50,0	2"
ABT-20-24	1.1/4"	28/30/32	1.1/4" - 11	1.1/2" - 11	62,0	50,0	2"
ABT-24-16	1.1/2"	38	1.1/2" - 11	1" - 11	62,0	55,0	2.3/16"
ABT-24-20	1.1/2"	38	1.1/2" - 11	1.1/4" - 11	63,0	55,0	2.3/16"
ABT-24-24	1.1/2"	38	1.1/2" - 11	1.1/2" - 11	63,0	55,0	2.3/16"
ABT-32-32	2"	51	2" - 11	2" - 11	72,0	70,0	2.3/4"

JIC
ORFS
BSP
NPTF
OTHERS

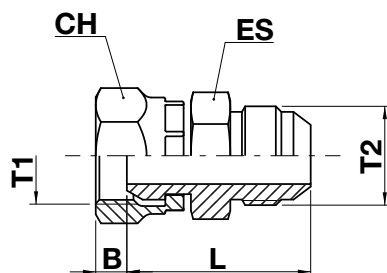
GBBX

Male BSPP 60° cone end / swivel female BSPP 60° cone end



JIC
ORFS
BSP
NPTF
OTHERS

code	ø hose		thread		L mm	B mm	ES		CH	
	inch	dn	T1	T2			mm	↻ in	mm	↻ in
GBBX-04-04	1/4"	6	1/4" - 19	1/4" - 19	32,0	4,0	19,0	3/4"	19,0	3/4"
GBBX-04-06	1/4"	6	1/4" - 19	3/8" - 19	33,0	6,0	19,0	3/4"	22,0	7/8"
GBBX-04-08	1/4"	6	1/4" - 19	1/2" - 14	34,5	6,5	22,0	7/8"	27,0	1.1/16"
GBBX-06-04	3/8"	10	3/8" - 19	1/4" - 19	33,0	5,2	22,0	7/8"	19,0	3/4"
GBBX-06-06	3/8"	10	3/8" - 19	3/8" - 19	34,0	6,0	22,0	7/8"	22,0	7/8"
GBBX-06-08	3/8"	10	3/8" - 19	1/2" - 14	36,0	6,5	22,0	7/8"	27,0	1.1/16"
GBBX-08-04	1/2"	12	1/2" - 14	1/4" - 19	34,5	5,2	27,0	1.1/16"	19,0	3/4"
GBBX-08-06	1/2"	12	1/2" - 14	3/8" - 19	35,5	6,0	27,0	1.1/16"	22,0	7/8"
GBBX-08-08	1/2"	12	1/2" - 14	1/2" - 14	39,0	6,5	27,0	1.1/16"	27,0	1.1/16"
GBBX-08-12	1/2"	12	1/2" - 14	3/4" - 14	41,0	8,7	27,0	1.1/16"	32,0	1.1/4"
GBBX-12-08	3/4"	20	3/4" - 14	1/2" - 14	43,0	9,0	32,0	1.1/4"	27,0	1.1/16"
GBBX-12-12	3/4"	20	3/4" - 14	3/4" - 14	45,5	8,7	32,0	1.1/4"	32,0	1.1/4"
GBBX-12-16	3/4"	20	3/4" - 14	1" - 11	47,5	10,5	36,0	1.7/16"	41,0	1.5/8"
GBBX-16-12	1"	25	1" - 11	3/4" - 14	50,0	8,7	41,0	1.5/8"	32,0	1.1/4"
GBBX-16-16	1"	25	1" - 11	1" - 11	53,5	10,5	41,0	1.5/8"	41,0	1.5/8"
GBBX-16-20	1"	25	1" - 11	1.1/4" - 11	53,5	10,1	41,0	1.5/8"	50,0	2"
GBBX-20-16	1.1/4"	28/30/32	1.1/4" - 11	1.1/4" - 11	53,0	10,5	50,0	2"	41,0	1.5/8"
GBBX-20-20	1.1/4"	28/30/32	1.1/4" - 11	1.1/4" - 11	54,5	10,5	50,0	2"	50,0	2"
GBBX-24-24	1.1/2"	35/38	1.1/2" - 11	1.1/2" - 11	58,5	12,5	55,0	2.3/16"	55,0	2.3/16"
GBBX-32-32	2"	51	2"-11	2"-11	69,0	16,0	70,0	2,3/4"	70,0	2,3/4"

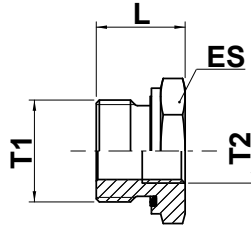
Swivel female BSPP 60° cone end / male JIC 37° flare end

JIC
ORFS
BSP
NPTF
OTHERS

code	ø hose		thread		L	B	ES		CH	
	inch	dn	T1	T2			mm	↻ in	mm	↻ in
GBJ-06-06	3/8"	10	3/8" - 19	9/16" - 18	40,0	6,0	19,0	3/4"	22,0	7/8"
GBJ-08-06	3/8"	10	1/2" - 14	9/16" - 18	40,0	6,5	22,0	7/8"	27,0	1.1/16"
GBJ-08-08	1/2"	12	1/2" - 14	3/4" - 16	42,5	6,5	22,0	7/8"	27,0	1.1/16"
GBJ-08-12	3/4"	20	1/2" - 14	1.1/16" - 12	47,0	6,5	30,0	1.3/16"	27,0	1.1/16"
GBJ-12-08	1/2"	12	3/4" - 14	3/4" - 16	42,8	8,7	27,0	1.1/16"	32,0	1.1/4"
GBJ-12-12	3/4"	20	3/4" - 14	1.1/16" - 12	48,5	8,7	30,0	1.3/16"	32,0	1.1/4"
GBJ-12-16	1"	25	3/4" - 14	1.5/16" - 12	51,3	8,7	36,0	1.7/16"	32,0	1.1/4"
GBJ-16-12	1"	25	1" - 11	1.1/16" - 12	48,3	10,5	38,0	1.1/2"	41,0	1.5/8"
GBJ-16-16	1"	25	1" - 11	1.5/16" - 12	49,5	10,5	41,0	1.5/8"	41,0	1.5/8"

DBBA

Reducer/expander - male BSPP thread - ED-seal (ISO 1179-2) / female BSPP thread - type A

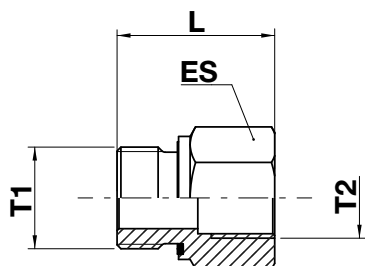


JIC
ORFS
BSP
NPTF
OTHERS

code	ø hose		thread		L mm	ES	
	inch	dn	T1	T2		mm	in
DBBA-06-02	3/8"	10	3/8" - 19	1/8"-28	22,5	22,0	7/8"
DBBA-08-02	1/2"	12	1/2" - 14	1/8"-28	24,0	27,0	1.1/16"
DBBA-08-04	1/2"	12	1/2" - 14	1/4" - 19	24,0	27,0	1.1/16"
DBBA-12-04	3/4"	20	3/4" - 14	1/4" - 19	26,0	32,0	1.1/4"
DBBA-12-06	3/4"	20	3/4" - 14	3/8" - 19	26,0	32,0	1.1/4"
DBBA-16-04	1"	25	1" - 11	1/4" - 19	29,0	41,0	1.5/8"
DBBA-16-06	1"	25	1" - 11	3/8" - 19	29,0	41,0	1.5/8"
DBBA-16-08	1"	25	1" - 11	1/2" - 14	29,0	41,0	1.5/8"
DBBA-20-08	1.1/4"	28/30/32	1.1/4" - 11	1/2" - 14	32,0	50,0	2"
DBBA-20-12	1.1/4"	28/30/32	1.1/4" - 11	3/4" - 14	32,0	50,0	2"
DBBA-24-08	1.1/2"	35/38	1.1/2" - 11	1/2" - 14	36,0	55,0	2.3/16"
DBBA-24-12	1.1/2"	35/38	1.1/2" - 11	3/4" - 14	36,0	55,0	2.3/16"
DBBA-24-16	1.1/2"	35/38	1.1/2" - 11	1" - 11	36,0	55,0	2.3/16"

DBBB

Reducer/expander - male BSPP thread - ED-seal (ISO 1179-2) / female BSPP thread - type B

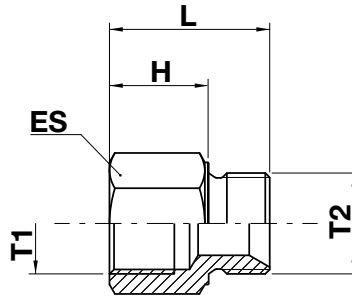


JIC
ORFS
BSP
NPTF
OTHERS

code	ø hose		thread		L mm	ES	
	inch	dn	T1	T2		mm	in
DBBB-02-04	1/8"	3	1/8" - 28	1/4" - 19	31,0	19,0	3/4"
DBBB-04-02	1/4"	6	1/4" - 19	1/8" - 28	28,0	19,0	3/4"
DBBB-04-06	1/4"	6	1/4" - 19	3/8" - 19	36,0	24,0	15/16"
DBBB-06-04	3/8"	10	3/8" - 19	1/4" - 19	36,0	22,0	7/8"
DBBB-06-08	3/8"	10	1/2" - 14	3/8" - 19	36,0	27,0	1.1/16"
DBBB-08-16	1/2"	12	1/2" - 14	1" - 11	49,0	41,0	1.5/8"
DBBB-08-20	1/2"	12	1/2" - 14	1.1/4" - 11	53,0	55,0	2.3/16"
DBBB-12-08	3/4"	20	3/4" - 14	1/2" - 14	41,0	32,0	1.1/4"
DBBB-16-12	1"	25	1" - 11	3/4" - 14	47,0	41,0	1.5/8"

DBBX

Reducer/expander - male BSPP thread 60° cone end / fixed female BSPP end

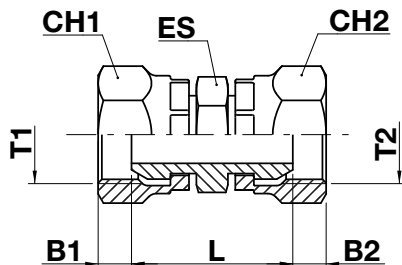


JIC
ORFS
BSP
NPTF
OTHERS

code	ø hose		thread		L mm	H mm	ES	
	inch	dn	T1	T2			mm	↻ in
DBBX-02-02	1/8"	3	1/8" - 28	1/8" - 28	22,5	14,5	14,0	9/16"
DBBX-02-02-H25	1/8"	3	1/8" - 28	1/8" - 28	34,0	25,0	14,0	9/16"
DBBX-04-04	1/4"	6	1/4" - 19	1/4" - 19	30,0	19,0	19,0	3/4"
DBBX-04-04-H40	1/4"	6	1/4" - 19	1/4" - 19	51,0	40,0	19,0	3/4"
DBBX-04-04-H43	1/4"	6	1/4" - 19	1/4" - 19	54,0	43,0	19,0	3/4"
DBBX-04-06	1/4"	6	1/4" - 19	3/8" - 19	36,0	24,0	17,0	11/32"
DBBX-06-04	3/8"	10	3/8" - 19	1/4" - 19	31,0	20,0	22,0	7/8"
DBBX-06-06	3/8"	10	3/8" - 19	3/8" - 19	32,0	20,0	22,0	7/8"
DBBX-06-06-H47	3/8"	10	3/8" - 19	3/8" - 19	59,0	47,0	22,0	7/8"
DBBX-06-08	3/8"	10	3/8" - 19	1/2" - 14	38,0	24,0	27,0	1.1/16"
DBBX-08-06	1/2"	12	1/2" - 14	3/8" - 19	33,0	21,0	27,0	1.1/16"
DBBX-08-08	1/2"	12	1/2" - 14	1/2" - 14	38,0	24,0	27,0	1.1/16"
DBBX-08-08-H30	1/2"	12	1/2" - 14	1/2" - 14	44,0	30,0	27,0	1.1/16"
DBBX-08-12	1/2"	12	1/2" - 14	3/4" - 14	42,0	28,0	32,0	1.1/4"
DBBX-12-08	3/4"	20	3/4" - 14	1/2" - 14	40,0	26,0	32,0	1.1/4"
DBBX-12-12	3/4"	20	3/4" - 14	3/4" - 14	42,0	26,0	32,0	1.1/4"
DBBX-12-12-H50	3/4"	20	3/4" - 14	3/4" - 14	66,0	50,0	32,0	1.1/4"
DBBX-16-12	1"	25	1" - 11	3/4" - 14	46,0	30,0	41,0	1.5/8"
DBBX-16-16	1"	25	1" - 11	1" - 11	51,0	32,0	41,0	1.5/8"
DBBX-20-16	1.1/4"	28/30/32	1.1/4" - 11	1" - 11	53,0	34,0	50,0	2"

FBBH

Union BSPP female swivel nut

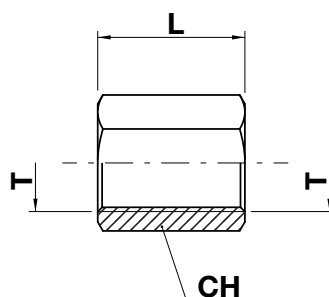


JIC
ORFS
BSP
NPTF
OTHERS

code	ø hose		thread		L	B1	B2	ES		CH1		CH2	
	inch	dn	T1	T2				mm	mm	mm	↗ in	mm	↗ in
FBBH-02-02	1/8"	3	1/8" - 28	1/8" - 28	24,5	5,0	5,0	12,0	1/2"	14,0	9/16"	14,0	9/16"
FBBH-04-04	1/4"	6	1/4" - 19	1/4" - 19	29,0	5,0	5,0	14,0	9/16"	19,0	3/4"	19,0	3/4"
FBBH-06-04	3/8"	10	3/8" - 19	1/4" - 19	31,5	6,0	5,0	17,0	11/16"	22,0	7/8"	19,0	3/4"
FBBH-06-06	3/8"	10	3/8" - 19	3/8" - 19	32,5	6,0	6,0	17,0	11/16"	22,0	7/8"	22,0	7/8"
FBBH-08-04	1/2"	12	1/2" - 14	1/4" - 19	33,5	6,5	5,0	22,0	7/8"	27,0	1.1/16"	19,0	3/4"
FBBH-08-06	1/2"	12	1/2" - 14	3/8" - 19	34,5	6,5	6,0	22,0	7/8"	27,0	1.1/16"	22,0	7/8"
FBBH-08-08	1/2"	12	1/2" - 14	1/2" - 14	38,0	6,5	6,5	22,0	7/8"	27,0	1.1/16"	27,0	1.1/16"
FBBH-12-08	3/4"	20	3/4" - 14	1/2" - 14	41,0	9,0	6,5	27,0	1.1/16"	32,0	1.1/4"	27,0	1.1/16"
FBBH-12-12	3/4"	20	3/4" - 14	3/4" - 14	43,5	9,0	9,0	27,0	1.1/16"	32,0	1.1/4"	32,0	1.1/4"
FBBH-16-16	1"	25	1" - 11	1" - 11	50,0	10,5	10,5	36,0	1.7/16"	41,0	1.5/8"	41,0	1.5/8"
FBBH-20-20	1.1/4"	28/30/32	1.1/4" - 11	1.1/4" - 11	55,0	10,5	10,5	41,0	1.5/8"	50,0	2"	50,0	2"
FBBH-24-24	1.1/2"	38	1.1/2" - 11	1.1/2" - 11	58,0	12,5	12,5	50,0	2"	55,0	2.3/16"	55,0	2.3/16"
FBBH-32-32	2"	51	2" - 11	2" - 11	61,5	16,5	16,5	60,0	2.3/8"	70,0	2.3/4"	70,0	2.3/4"

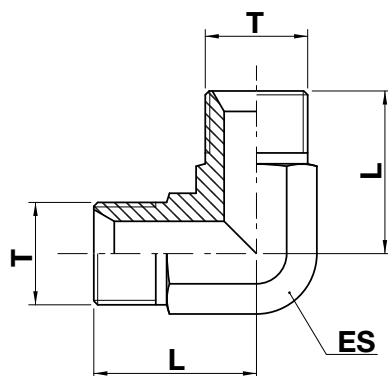
UBTB

Test point connector - BSPP fixed female ends




JIC
ORFS
BSP
NPTF
OTHERS

code	thread	L	CH	
	T	mm	mm	in
UBTB-02-02	1/8" - 28	20,0	14,0	9/16"
UBTB-04-04	1/4" - 19	25,0	19,0	3/4"
UBTB-06-06	3/8" - 19	27,0	22,0	7/8"
UBTB-08-08	1/2"-14	35,0	27,0	1.1/16"
UBTB-12-12	3/4" - 14	40,0	32,0	1.1/4"
UBTB-16-16	1" - 11	45,0	41,0	1.5/8"
UBTB-20-20	1.1/4" - 11	48,0	50,0	2"

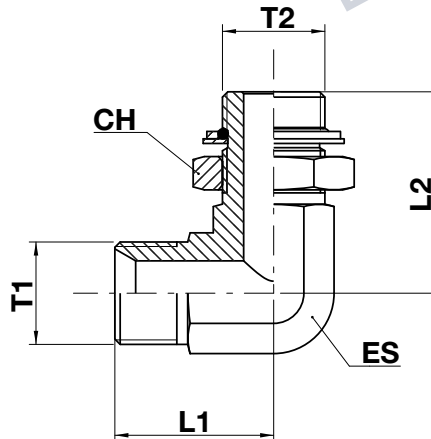
90° union elbow - male BSPP 60° cone ends

JIC
ORFS
BSP
NPTF
OTHERS

code	ø hose		thread	L	ES	
	inch	dn	T	mm	mm	 in
LABB-04-04	1/4"	6	1/4" - 19	27,0	14,0	9/16"
LABB-06-06	3/8"	10	3/8" - 19	29,0	19,0	3/4"
LABB-08-08	1/2"	12	1/2" - 14	34,0	22,0	7/8"
LABB-12-12	3/4"	18/20	3/4" - 14	42,0	27,0	1.1/16"
LABB-16-16	1"	25	1" - 11	47,0	36,0	1.7/16"
LABB-20-20	1.1/4"	28/30/32	1.1/4" - 11	52,0	46,0	1.13/16"
LABB-24-24	1.1/2"	35/38	1.1/2" - 11	43,2	50,0	2"

LABBR

90° union elbow - male BSPP 60° cone end / adjustable BSPP end O-ring + retaining ring (ISO 1179-3)

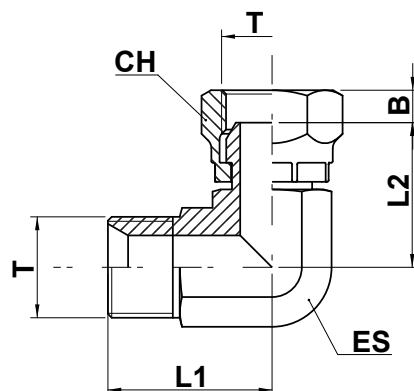


JIC
ORFS
BSP
NPTF
OTHERS

code	ø hose		thread		L1	L2	ES		CH	
	inch	dn	T1	T2			mm	mm	mm	↗ in
LABBR-04-02	1/4"	6	1/4" - 19	1/8" - 28	27,0	28,0	14,0	9/16"	14,0	9/16"
LABBR-04-04	1/4"	6	1/4" - 19	1/4" - 19	27,0	31,5	14,0	9/16"	19,0	3/4"
LABBR-04-06	1/4"	6	1/4" - 19	3/8" - 19	27,0	37,0	19,0	3/4"	-	7/8"
LABBR-06-04	3/8"	10	3/8" - 19	1/4" - 19	29,0	35,0	19,0	3/4"	19,0	3/4"
LABBR-06-06	3/8"	10	3/8" - 19	3/8" - 19	29,0	37,0	19,0	3/4"	22,0	7/8"
LABBR-06-08	3/8"	10	3/8" - 19	1/2" - 14	32,0	43,0	22,0	7/8"	27,0	1.1/16"
LABBR-08-06	1/2"	12	1/2" - 14	3/8" - 19	34,0	40,0	22,0	7/8"	22,0	7/8"
LABBR-08-08	1/2"	12	1/2" - 14	1/2" - 14	34,0	43,0	22,0	7/8"	27,0	1.1/16"
LABBR-08-12	1/2"	12	1/2" - 14	3/4" - 14	37,0	50,0	27,0	1.1/16"	32,0	1.1/4"
LABBR-12-08	3/4"	18/20	3/4" - 14	1/2" - 14	41,0	45,5	27,0	1.1/16"	27,0	1.1/16"
LABBR-12-12	3/4"	18/20	3/4" - 14	3/4" - 14	41,0	50,0	27,0	1.1/16"	36,0	1.7/16"
LABBR-12-16	3/4"	18/20	3/4" - 14	1" - 11	43,0	53,0	33,0	1.5/16"	41,0	1.5/8"
LABBR-16-12	1"	25	1" - 11	3/4" - 14	46,0	52,0	33,0	1.5/16"	36,0	1.7/16"
LABBR-16-16	1"	25	1" - 11	1" - 11	46,0	53,0	33,0	1.5/16"	41,0	1.5/8"
LABBR-20-20	1.1/4"	28/30/32	1.1/4" - 11	1.1/4" - 11	51,0	58,0	41,0	1.5/8"	50,0	2"
LABBR-24-20	1.1/2"	35/38	1.1/2" - 11	1.1/4" - 11	59,0	61,0	48,0	1.7/8"	50,0	2"
LABBR-24-24	1.1/2"	35/38	1.1/2" - 11	1.1/2" - 11	60,0	61,0	48,0	1.7/8"	55,0	2.3/16"

LGBB

90° swivel nut elbow - male BSPP end / swivel female BSPP 60° cone end

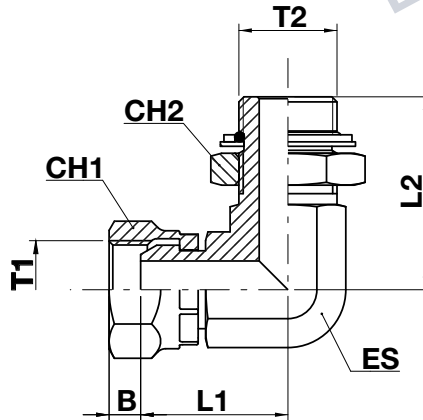


JIC
ORFS
BSP
NPTF
OTHERS

code	ø hose		thread	L1	L2	B	ES		CH	
	inch	dn	T	mm	mm	mm	mm	↻ in	mm	↻ in
LGBB-02-02	1/8"	3	1/8" - 28	22,5	22,5	4,5	11,0	7/16"	14,0	9/16"
LGBB-04-04	1/4"	6	1/4" - 19	27,0	23,8	5,0	14,0	9/16"	19,0	3/4"
LGBB-06-06	3/8"	10	3/8" - 19	29,0	28,2	6,0	19,0	3/4"	22,0	7/8"
LGBB-08-08	1/2"	12	1/2" - 14	35,0	33,6	6,5	22,0	7/8"	27,0	1.1/16"
LGBB-12-12	3/4"	18/20	3/4" - 14	43,0	37,9	8,5	27,0	1.1/16"	32,0	1.1/4"
LGBB-16-16	1"	25	1" - 11	47,0	45,5	10,5	33,0	1.1/4"	41,0	1.5/8"
LGBB-20-20	1.1/4"	28/30/32	1.1/4" - 11	50,0	50,0	10,0	41,0	1.5/8"	50,0	2"
LGBB-24-24	1.1/2"	35/38	1.1/2" - 11	59,0	53,5	12,5	48,0	1.7/8"	55,0	2.3/16"
LGBB-32-32	2"	51	2"-11	70,0	60,0	16,0	65,0	2.9/16"	70,0	3"

LGBBR

90° swivel nut elbow - swivel female BSPP 60° cone end / adjustable BSPP end O-ring
+ retaining ring (ISO 1179-3)

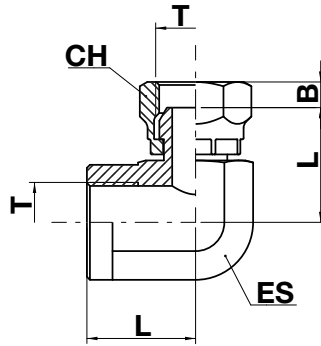


JIC
ORFS
BSP
NPTF
OTHERS

code	ø hose		thread		L1	L2	B	ES	CH1		CH2		
	inch	dn	T1	T2					mm	mm	mm	mm	in
LGBBR-04-04	1/4"	6	1/4" - 19	1/4" - 19	24,0	31,5	5,2	14,0	9/16"	19,0	3/4"	19,0	3/4"
LGBBR-06-06	3/8"	10	3/8" - 19	3/8" - 19	26,0	37,0	6,0	19,0	3/4"	22,0	7/8"	22,0	7/8"
LGBBR-08-06	1/2"	12	1/2" - 14	3/8" - 19	35,0	36,0	6,5	22,0	7/8"	27,0	1.1/16"	22,0	7/8"
LGBBR-08-08	1/2"	12	1/2" - 14	1/2" - 14	28,5	43,0	6,5	22,0	7/8"	27,0	1.1/16"	27,0	1.1/16"
LGBBR-12-12	3/4"	18/20	3/4" - 14	3/4" - 14	37,0	50,0	8,7	27,0	1.1/16"	32,0	1.1/4"	36,0	1.7/16"
LGBBR-16-16	1"	25	1" - 11	1" - 11	42,0	53,0	10,5	33,0	1.1/4"	41,0	1.5/8"	46,0	1.3/16"
LGBBR-20-20	1.1/4"	28/30/32	1.1/4" - 11	1.1/4" - 11	50,0	58,0	10,1	41,0	1.5/8"	50,0	2"	50,0	2"
LGBBR-24-24	1.1/2"	35/38	1.1/2" - 11	1.1/2" - 11	53,5	67,0	12,5	48,0	1.7/8"	55,0	2.3/16"	55,0	2.3/16"

LFBB

90° union elbow - fixed female BSPP end / swivel BSPP female end

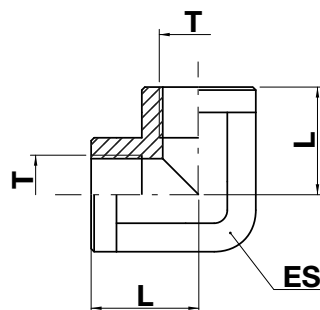


JIC
ORFS
BSP
NPTF
OTHERS


code	ø hose		thread	L	B	ES		CH	
	inch	dn	T	mm	mm	mm	↗ in	mm	↗ in
LFBB-04-04	1/4"	6	1/4" - 19	27,0	5,0	19,0	3/4"	19,0	3/4"
LFBB-06-06	3/8"	10	3/8" - 19	29,0	6,0	22,0	7/8"	22,0	7/8"
LFBB-08-08	1/2"	12	1/2" - 14	35,0	6,5	27,0	1.1/16"	27,0	1.1/16"
LFBB-12-12	3/4"	18/20	3/4" - 14	43,0	8,7	33,0	1.1/4"	32,0	1.1/4"
LFBB-16-16	1"	25	1" - 11	47,0	10,5	41,0	1.5/8"	41,0	1.5/8"
LFBB-20-20	1.1/4"	28/30/32	1.1/4" - 11	50,0	10,1	48,0	1.7/8"	50,0	2"
LFBB-24-24	1.1/2"	35/38	1.1/2" - 11	43,2	12,5	65,0	2.9/16"	55,0	2.3/16"

LFBBA

90° union elbow - fixed female BSPP ends

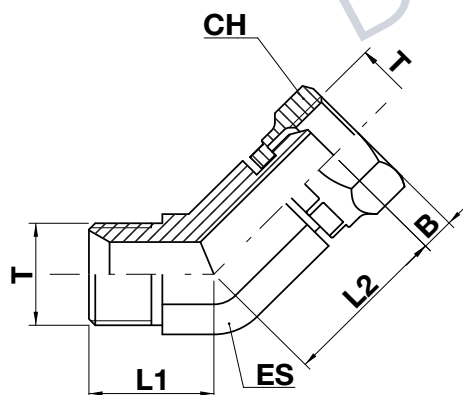


JIC
ORFS
BSP
NPTF
OTHERS

code	ø hose		thread	L	ES	
	inch	dn	T	mm	mm	 in
LFBBA-02-02	1/8"	3	1/8" - 28	20,0	14,0	9/16"
LFBBA-04-04	1/4"	6	1/4" - 19	22,0	19,0	3/4"
LFBBA-06-06	3/8"	10	3/8" - 19	26,0	22,0	7/8"
LFBBA-08-08	1/2"	12	1/2" - 14	32,0	27,0	1.1/16"
LFBBA-12-12	3/4"	18/20	3/4" - 14	36,0	33,0	1.1/4"
LFBBA-16-16	1"	25	1" - 11	42,0	41,0	1.5/8"
LFBBA-20-20	1.1/4"	28/30/32	1.1/4" - 11	43,2	48,0	1.7/8"
LFBBA-32-32	2"	51	2" - 11	60,0	70,0	2.3/4"

VGBB

45° swivel nut elbow - BSPP male end / BSPP female swivel end

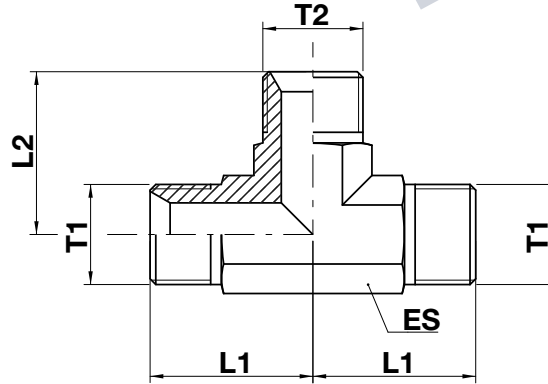


JIC
ORFS
BSP
NPTF
OTHERS

code	ø hose		thread	L1	L2	B	ES		CH	
	inch	dn	T	mm	mm	mm	mm	↻ in	mm	↻ in
VGBB-04-04	1/4"	6	1/4" - 18	21	28,0	5,2	14,0	9/16"	19,0	3/4"
VGBB-06-06	3/8"	10	3/8" - 18	25	32,0	6	19,0	3/4"	22,0	7/8"
VGBB-08-08	1/2"	12	1/2" - 14	28	33,0	6,5	22,0	7/8"	27,0	1.1/16"
VGBB-12-12	3/4"	18/20	3/4" - 14	32	43,5	8,7	27,0	1.1/16"	32,0	1.1/4"
VGBB-16-16	1"	25	1" - 11.1/2	37	47,5	10,5	33,0	1.5/16"	41,0	1.5/8"
VGBB-20-20	1"	25	1.1/4" - 11	40	40,0	10,5	41,0	1.5/8"	50,0	2"
VGBB-24-24	1.1/2"	35/38	1.1/2" - 11	45	45,0	12,5	48,0	1.7/8"	55,0	2.3/16"

T1B

Union tee - BSPP male ends

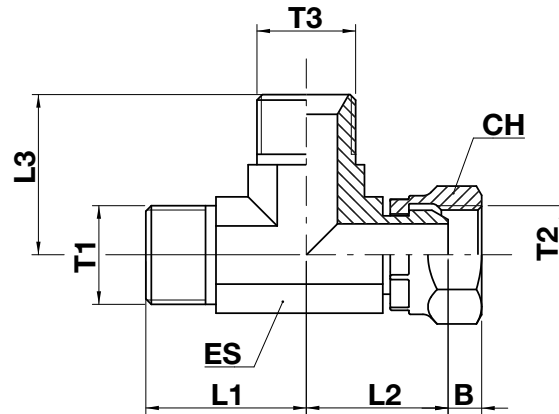


JIC
ORFS
BSP
NPTF
OTHERS

code	ø hose T1		ø hose T2		thread		L1	L2	ES	
	inch	dn	inch	dn	T1	T2			mm	mm
T1B-04-04-04	1/4"	6	1/4"	6	1/4" - 19	1/4" - 19	27,0	27,0	14,0	9/16"
T1B-06-06-04	3/8"	10	1/4"	6	3/8" - 19	1/4" - 19	29,0	27,0	19,0	3/4"
T1B-06-06-06	3/8"	10	3/8"	10	3/8" - 19	3/8" - 19	29,0	29,0	19,0	3/4"
T1B-08-08-08	1/2"	12	1/2"	12	1/2" - 14	1/2" - 14	35,0	35,0	22,0	7/8"
T1B-10-10-10	5/8"	14/15/16	5/8"	14/15/16	5/8" - 14	5/8" - 14	37,0	37,0	22,0	7/8"
T1B-12-12-12	3/4"	18/20	3/4"	18/20	3/4" - 14	3/4" - 14	41,0	41,0	27,0	1.1/16"
T1B-16-16-16	1"	25	1"	25	1" - 11	1" - 11	46,0	46,0	33,0	1.5/16"
T1B-20-20-20	1.1/4"	28/30/32	1.1/4"	28/30/32	1.1/4" - 11	1.1/4" - 11	51,0	51,0	41,0	1.5/8"
T1B-24-24-24	1.1/2"	35/38	1.1/2"	35/38	1.1/2" - 11	1.1/2" - 11	59,0	59,0	48,0	1.7/8"
T1B-32-32-32	2"	51	2"	51	2" - 11	2" - 11	75,0	75,0	65,0	2.9/16"

T4B

Swivel nut run tee - male BSPP ends / swivel female BSPP 60° cone end

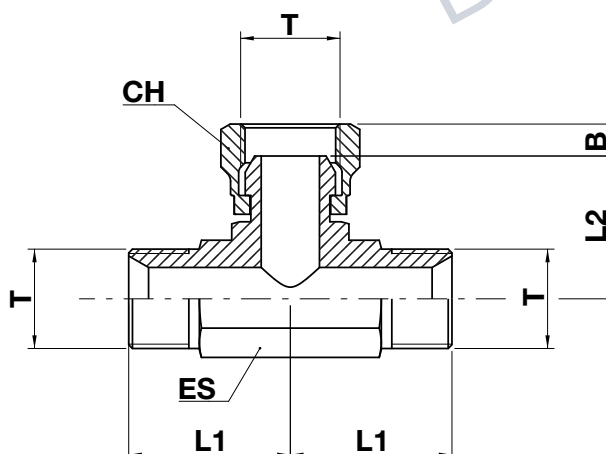


JIC
ORFS
BSP
NPTF
OTHERS

code	ø hose		thread			L1	L2	L3	B	ES		CH	
	inch	dn	T1	T2	T3					mm	↻ in	mm	↻ in
T4B-04-04-04	1/4"	6	1/4" - 19	1/4" - 19	1/4" - 19	27,0	23,8	27,0	5,0	14,0	9/16"	19,0	3/4"
T4B-06-06-04	3/8"	10	3/8" - 19	3/8" - 19	1/4" - 19	29,0	25,5	27,0	6,0	19,0	3/4"	22,0	7/8"
T4B-06-06-06	3/8"	10	3/8" - 19	3/8" - 19	3/8" - 19	26,0	20,0	26,0	6,0	19,0	3/4"	22,0	7/8"
T4B-06-08-08	3/8"	10	3/8" - 19	1/2" - 14	1/2" - 14	33,5	33,6	35,0	6,5	22,0	7/8"	27,0	1.1/16"
T4B-08-08-08	1/2"	12	1/2" - 14	1/2" - 14	1/2" - 14	35,0	35,0	35,0	6,5	22,0	7/8"	27,0	1.1/16"
T4B-12-12-12	3/4"	18/20	3/4" - 14	3/4" - 14	3/4" - 14	42,0	44,0	42,0	8,7	27,0	1.1/16"	32,0	1.1/4"
T4B-16-16-16	1"	25	1" - 11	1" - 11	1" - 11	47,0	49,0	47,0	10,5	36,0	1.7/16"	41,0	1.5/8"
T4B-20-20-20	1.1/4"	28/30/32	1.1/4" - 11	1.1/4" - 11	1.1/4" - 11	50,0	50,0	50,0	10,1	41,0	1.5/8"	50,0	2"
T4B-24-24-24	1.1/2"	35,38	1.1/2" - 11	1.1/2" - 11	1.1/2" - 11	59,0	54,0	59,0	12,5	48,0	1.7/8"	55,0	2.3/16"

T5B

Swivel nut branch tee - male BSPP ends / swivel female BSPP 60° cone end

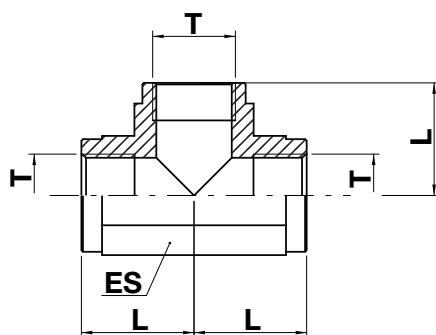


JIC
ORFS
BSP
NPTF
OTHERS

code	ø hose		thread	L1	L2	B	ES		CH	
	inch	dn	T	mm	mm	mm	mm	↻ in	mm	↻ in
T5B-04-04-04	1/4"	6	1/4" - 19	27,0	23,8	5,0	14,0	9/16"	19,0	3/4"
T5B-06-06-06	3/8"	10	3/8" - 19	29,0	28,2	6,0	19,0	3/4"	22,0	7/8"
T5B-08-08-08	1/2"	12	1/2" - 14	35,0	33,6	6,5	22,0	7/8"	27,0	1.1/16"
T5B-12-12-12	3/4"	18/20	3/4" - 14	43,0	38,0	8,7	27,0	1.1/16"	32,0	1.1/4"
T5B-16-16-16	1"	25	1" - 11	47,0	45,5	10,5	36,0	1.7/16"	41,0	1.5/8"
T5B-20-20-20	1.1/4"	28/30/32	1.1/4" - 11	50,0	50,0	10,1	46,0	1.13/16"	50,0	2"
T5B-24-24-24	1.1/2"	35/38	1.1/2" - 11	59,0	53,5	12,5	50,0	2"	55,0	2.3/16"

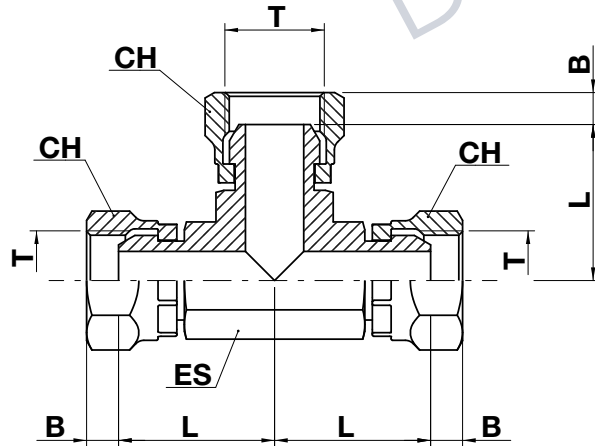
T6B

Union tee - fixed female BSPP ends



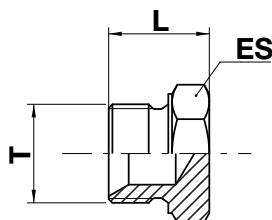
JIC
ORFS
BSP
NPTF
OTHERS

code	ø hose		thread	L	T	ES	
	inch	dn	T	mm	mm	mm	in
T6B-04-04-04	1/4"	6	1/4" - 19	22,0	19,0	3/4"	3/4"
T6B-06-06-06	3/8"	10	3/8" - 19	26,0	22,0	7/8"	7/8"
T6B-08-08-08	1/2"	12	1/2" - 14	32,0	27,0	1.1/16"	1.1/16"
T6B-12-12-12	3/4"	18/20	3/4" - 14	36,0	33,0	1.5/16"	1.5/16"
T6B-16-16-16	1"	25	1" - 11	42,0	41,0	1.5/8"	1.5/8"
T6B-20-20-20	1.1/4"	28/30/32	1.1/4" - 11	48,0	48,0	1.7/8"	1.7/8"
T6B-24-24-24	1.1/2"	35/38	1.1/2" - 11	53,0	65,0	2.9/16"	2.9/16"

T7B**Union tee - swivel female BSPP ends**

JIC
ORFS
BSP
NPTF
OTHERS

code	ø hose		thread	L	B	ES		CH	
	inch	dn	T	mm	mm	mm	↗ in	mm	↗ in
T7B-04-04-04	1/4"	6	1/4" - 19	24,5	5,2	14,0	9/16"	19,0	3/4"
T7B-06-06-06	3/8"	10	3/8" - 19	27,5	6,0	19,0	3/4"	22,0	7/8"
T7B-08-08-08	1/2"	12	1/2" - 14	31,5	6,5	22,0	7/8"	27,0	1.1/16"
T7B-12-12-12	3/4"	18/20	3/4" - 14	41,5	8,7	27,0	1.1/16"	32,0	1.1/4"
T7B-16-16-16	1"	25	1" - 11	46,0	10,5	33,0	1.5/16"	41,0	1.5/8"
T7B-20-20-20	1.1/4"	28/30/32	1.1/4" - 11	51,0	10,1	41,0	1.5/8"	50,0	2"

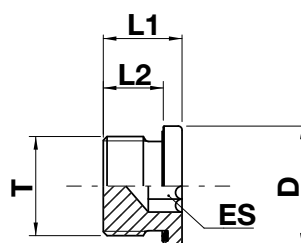
BSPP 60° cone plug

JIC
ORFS
BSP
NPTF
OTHERS

code	thread	L mm	ES	
	T		mm	in
PAB-02	1/8" - 28	16,0	14,0	9/16"
PAB-04	1/4" - 19	18,0	19,0	3/4"
PAB-06	3/8" - 19	20,0	22,0	7/8"
PAB-08	1/2" - 14	24,0	27,0	1.1/16"
PAB-12	3/4" - 14	27,0	32,0	1.1/4"
PAB-16	1" - 11	32,0	41,0	1.5/8"
PAB-20	1.1/4" - 11	33,0	50,0	2"
PAB-24	1.1/2"-11	39,0	55,0	2.3/16"
PAB-32	2"-11	45,0	70,0	2.3/4"

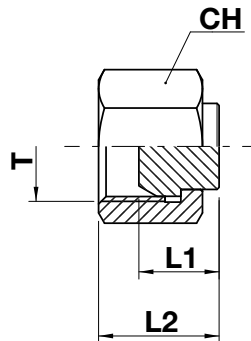
PBX

Hexagon socket plug - male BSPP end - ED-seal (ISO 1179-2)



JIC
ORFS
BSP
NPTF
OTHERS

code	thread	L1	L2	D	ES
	T	mm	mm	mm	mm
PBX-02	1/8" - 28	12,0	8,0	14,0	5,0
PBX-04	1/4" - 19	17,0	12,0	19,0	6,0
PBX-06	3/8" - 19	17,0	12,0	22,0	8,0
PBX-08	1/2" - 14	19,0	14,0	27,0	10,0
PBX-12	3/4" - 14	21,0	16,0	32,0	12,0
PBX-16	1" - 11	22,8	16,0	40,0	17,0
PBX-20	1,1/4" - 11	22,8	16,0	49,9	22,0
PBX-24	1.1/2" - 11	22,5	16,0	55,0	24,0
PBX-32	2" - 11	25,3	20,0	68,0	32,0

CBX**BSPP 60° cone female swivel cap**

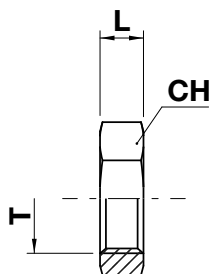
2 or 4 points punched to avoid cap slip off

JIC
ORFS
BSP
NPTF
OTHERS

code	ø hose		thread	L1	L2	CH	
	inch	dn	T	mm	mm	mm	↻ in
CBX-04	1/4"	6	1/4" - 19	19,0	14,0	19,0	3/4"
CBX-06	3/8"	10	3/8" - 19	21,0	14,8	22,0	7/8"
CBX-08	1/2"	12	1/2" - 14	24,0	17,0	27,0	1.1/16"
CBX-12	3/4"	18, 20	3/4" - 14	29,0	19,3	32,0	1.1/4"
CBX-16	1"	25	1" - 11	32,0	21,0	41,0	1.5/8"
CBX-20	1.1/4"	28/30/32	1.1/4" - 11	32,0	21,5	50,0	2"
CBX-24	1.1/2"	35/38	1.1/2" - 11	38,0	25,8	55,0	2.3/16"
CBX-32	2"	51	2" - 11	42,0	27,0	70,0	2.3/4"

CBSP

BSPP locknut

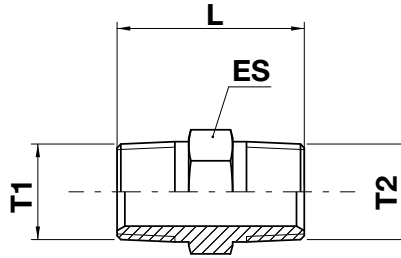


code	thread	L	CH	
	T	mm	mm	in
CBSP-0200	1/8"-28	5,5	14,0	9/16"
CBSP-0400	1/4" - 19	6,5	19,0	3/4"
CBSP-0600	3/8" - 19	7,0	22,0	7/8"
CBSP-0800	1/2" - 14	8,0	27,0	1.1/16"
CBSP-1200	3/4" - 14	10,5	32,0	1.1/4"
CBSP-1600	1" - 11	10,5	41,0	1.5/8"
CBSP-2400	1,1/2-11	15,0	55,0	2.3/16"
CBSP-3200	2" - 11	10,5	70,0	2.3/4"

JIC
ORFS
BSP
NPTF
OTHERS

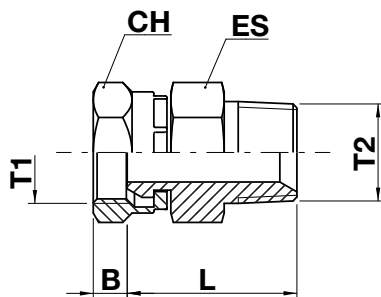
NPTF

SAE pipe taper NPTF connectors

Union NPTF male ends

JIC
ORFS
BSP
NPTF
OTHERS

code	ø hose		thread		L mm	ES	
	inch	dn	T1	T2		mm	↻ in
ANN-02-02	1/8"	3	1/8" - 27	1/8" - 27	26,9	11,1	7/16"
ANN-04-02	1/4"	6	1/4" - 18	1/8" - 27	32,0	15,9	5/8"
ANN-04-04	1/4"	6	1/4" - 18	1/4" - 18	36,8	15,9	5/8"
ANN-06-04	3/8"	10	3/8" - 18	1/4" - 18	36,8	19,1	3/4"
ANN-06-06	3/8"	10	3/8" - 18	3/8" - 18	36,3	19,1	3/4"
ANN-08-04	1/2"	12	1/2" - 14	1/4" - 18	43,2	22,2	7/8"
ANN-08-06	1/2"	12	1/2" - 14	3/8" - 18	43,2	22,2	7/8"
ANN-08-08	1/2"	12	1/2" - 14	1/2" - 14	48,0	22,2	7/8"
ANN-12-06	3/4"	20	3/4" - 14	3/8" - 18	45,0	28,6	1.1/8"
ANN-12-08	3/4"	20	3/4" - 14	1/2" - 14	49,8	28,6	1.1/8"
ANN-12-12	3/4"	20	3/4" - 14	3/4" - 14	49,8	28,6	1.1/8"
ANN-16-08	1"	25	1" - 11.1/2	1/2" - 14	53,1	34,9	1.3/8"
ANN-16-12	1"	25	1" - 11.1/2	3/4" - 14	54,6	34,9	1.3/8"
ANN-16-16	1"	25	1" - 11.1/2	1" - 11.1/2	59,4	34,9	1.3/8"
ANN-20-16	1.1/4"	28/30/32	1.1/4" - 11.1/2	1" - 11.1/2	62,3	44,5	1.3/4"
ANN-20-20	1.1/4"	28/30/32	1.1/4" - 11.1/2	1.1/4" - 11.1/2	63,0	46,0	1.3/16"
ANN-24-20	1.1/2"	38	1.1/2" - 11.1/2	1.1/4" - 11.1/2	66,3	50,8	2"
ANN-24-24	1.1/2"	38	1.1/2" - 11.1/2	1.1/2" - 11.1/2	66,3	50,8	2"
ANN-32-32	2"	51	2" - 11.1/2	2" - 11.1/2	71,6	63,5	2.1/2"

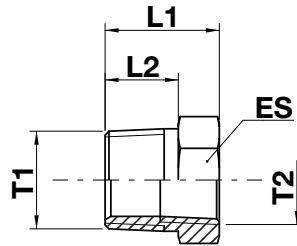
NPTF female swivel end / male NPTF end

JIC
ORFS
BSP
NPTF
OTHERS

code	ø hose		thread		L mm	B mm	ES		CH	
	inch	dn	T1	T2			mm	↻ in	mm	↻ in
GNN-02-02	1/8"	3	1/8" - 27	1/8" - 27	25,5	-	14,3	9/16"	14,3	9/16"
GNN-04-02	1/4"	6	1/4" - 18	1/8" - 27	26,7	4,8	17,5	11/16"	17,5	11/16"
GNN-04-04	1/4"	6	1/4" - 18	1/4" - 18	31,2	4,8	17,5	11/16"	17,5	11/16"
GNN-04-06	1/4"	6	1/4" - 18	3/8" - 18	33,3	4,8	19,1	3/4"	17,5	11/16"
GNN-06-04	3/8"	10	3/8" - 18	1/4" - 18	33,3	5,3	20,6	13/16"	22,2	7/8"
GNN-06-06	3/8"	10	3/8" - 18	3/8" - 18	33,0	5,3	22,2	7/8"	22,2	7/8"
GNN-06-08	3/8"	10	3/8" - 18	1/2" - 14	43,2	5,3	22,2	7/8"	22,2	7/8"
GNN-08-06	1/2"	12	1/2" - 14	3/8" - 18	39,1	7,0	22,2	7/8"	25,4	1"
GNN-08-08	1/2"	12	1/2" - 14	1/2" - 14	42,6	7,1	25,4	1"	25,4	1"
GNN-08-12	1/2"	12	1/2" - 14	3/4" - 14	42,0	7,1	31,8	1.1/4"	31,8	1.1/4"
GNN-12-08	3/4"	18/20	3/4" - 14	1/2" - 14	44,2	8,9	31,8	1.1/4"	31,8	1.1/4"
GNN-12-12	3/4"	18/20	3/4" - 14	3/4" - 14	44,5	8,9	31,8	1.1/4"	31,8	1.1/4"
GNN-12-16	3/4"	18/20	3/4" - 14	1" - 11.1/2	45,0	13,1	34,9	1.3/8"	38,1	1.1/2"
GNN-16-12	1"	25	1" - 11.1/2	3/4" - 14	46,0	8,9	38,1	1.1/2"	38,1	1.1/2"
GNN-16-16	1"	25	1" - 11.1/2	1" - 11.1/2	51,8	8,9	38,1	1.1/2"	38,1	1.1/2"
GNN-16-20	1"	25	1" - 11.1/2	1.1/4" - 11.1/2	54,0	8,8	44,5	1.3/4"	47,6	1.7/8"
GNN-20-16	1.1/4"	28/30/32	1.1/4" - 11.1/2	1" - 11.1/2	53,0	10,1	47,6	1.7/8"	38,1	1.1/2"
GNN-20-20	1.1/4"	28/30/32	1.1/4" - 11.1/2	1.1/4" - 11.1/2	53,3	11,1	47,6	1.7/8"	47,6	1.7/8"
GNN-20-24	1.1/4"	28/30/32	1.1/4" - 11.1/2	1.1/2" - 11.1/2	60,0	6,3	54,0	2.1/8"	54,0	2.1/8"
GNN-24-20	1.1/2"	35/38	1.1/2" - 11.1/2	1.1/4" - 11.1/2	56,0	14,2	47,6	1.7/8"	47,6	1.7/8"
GNN-24-24	1.1/2"	35/38	1.1/2" - 11.1/2	1.1/2" - 11.1/2	62,0	10,8	54,0	2.1/8"	54,0	2.1/8"

QNN

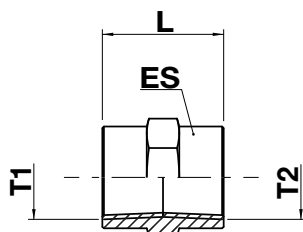
Straight connector - male NPTF end / female NPTF end




JIC
ORFS
BSP
NPTF
OTHERS

code	ø hose		thread		L1 mm	L2 mm	ES	
	inch	dn	T1	T2			mm	in
QNN-04-02	1/4"	6	1/4" - 18	1/8" - 27	21,6	14,2	15,9	5/8"
QNN-06-02	3/8"	10	3/8" - 18	1/8" - 27	21,6	14,2	19,1	3/4"
QNN-06-04	3/8"	10	3/8" - 18	1/4" - 18	21,6	14,2	19,1	3/4"
QNN-08-02	1/2"	12	1/2" - 14	1/8" - 27	27,9	19,1	22,2	7/8"
QNN-08-04	1/2"	12	1/2" - 14	1/4" - 18	27,9	19,1	22,2	7/8"
QNN-08-06	1/2"	12	1/2" - 14	3/8" - 18	27,9	19,1	22,2	7/8"
QNN-12-04	3/4"	18/20	3/4" - 14	1/4" - 18	29,7	19,1	28,6	1.1/8"
QNN-12-06	3/4"	18/20	3/4" - 14	3/8" - 18	29,7	19,1	28,6	1.1/8"
QNN-12-08	3/4"	18/20	3/4" - 14	1/2" - 14	29,7	19,1	28,6	1.1/8"
QNN-16-06	1"	25	1" - 11.1/2	3/8" - 18	34,5	23,9	34,9	1.3/8"
QNN-16-08	1"	25	1" - 11.1/2	1/2" - 14	34,5	23,9	34,9	1.3/8"
QNN-16-12	1"	25	1" - 11.1/2	3/4" - 14	34,5	23,9	34,9	1.3/8"
QNN-20-12	1.1/4"	28/30/32	1.1/4" - 11.1/2	3/4" - 14	37,3	24,6	44,5	1.3/4"
QNN-20-16	1.1/4"	28/30/32	1.1/4" - 11.1/2	1" - 11.1/2	37,3	24,6	44,5	1.3/4"
QNN-24-16	1.1/2"	38	1.1/2" - 11.1/2	1" - 11.1/2	39,9	25,4	50,8	2"
QNN-24-20	1.1/2"	38	1.1/2" - 11.1/2	1.1/4" - 11.1/2	39,9	25,4	50,8	2"
QNN-32-16	3/4"	18/33	2" - 11.1/2	1" - 11.1/2	44,5	26,2	63,5	2.1/2"
QNN-32-20	3/4"	18/34	2" - 11.1/2	1.1/4" - 11.1/2	44,5	26,2	63,5	2.1/2"
QNN-32-24	3/4"	18/35	2" - 11.1/2	1.1/2" - 11.1/2	44,5	26,2	63,5	2.1/2"

Union NPFT fixed female ends

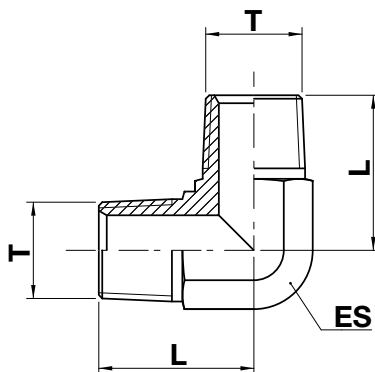


JIC
ORFS
BSP
NPTF
OTHERS

code	ø hose		thread		L mm	ES	
	inch	dn	T1	T2		mm	 in
FNNA-02-02	1/8"	3	1/8" - 27	1/8" - 27	19,1	15,9	5/8"
FNNA-04-02	1/4"	6	1/4" - 18	1/8" - 27	28,7	19,1	3/4"
FNNA-04-04	1/4"	6	1/4" - 18	1/4" - 18	28,7	19,1	3/4"
FNNA-06-04	3/8"	10	3/8" - 18	1/4" - 18	28,7	22,2	7/8"
FNNA-06-06	3/8"	10	3/8" - 18	3/8" - 18	28,7	22,2	7/8"
FNNA-08-06	1/2"	12	1/2" - 14	3/8" - 18	38,1	28,6	1.1/8"
FNNA-08-08	1/2"	12	1/2" - 14	1/2" - 14	38,1	28,6	1.1/8"
FNNA-12-08	3/4"	20	3/4" - 14	1/2" - 14	38,9	34,9	1.3/8"
FNNA-12-12	3/4"	20	3/4" - 14	3/4" - 14	38,9	34,9	1.3/8"
FNNA-16-12	1"	25	1" - 11.1/2	3/4" - 14	48,0	41,3	1.5/8"
FNNA-16-16	1"	25	1" - 11.1/2	1" - 11.1/2	48,1	41,0	1.5/8"
FNNA-20-20	1.1/4"	28/30/32	1.1/4" - 11.1/2	1.1/4" - 11.1/2	49,0	50,0	1.3/4"
FNNA-24-24	1.1/2"	38	1.1/2" - 11.1/2	1.1/2" - 11.1/2	49,0	60,3	2.3/8"
FNNA-32-32	2"	51	2" - 11.1/2	2" - 11.1/2	49,8	73,0	2.7/8"

LANN

90° union elbow - male NPTF ends

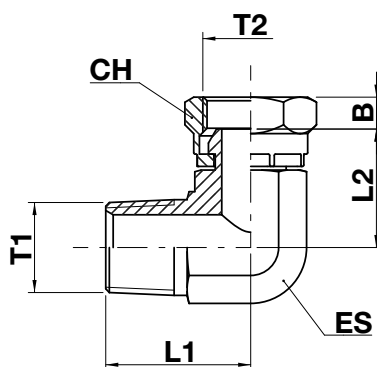


JIC
ORFS
BSP
NPTF
OTHERS

code	ø hose		thread	L	ES	
	inch	dn	T	mm	mm	in
LANN-02-02	1/8"	3	1/8" - 27	19,8	11,0	7/16"
LANN-04-04	1/4"	6	1/4" - 18	27,7	14,0	9/16"
LANN-06-06	3/8"	10	3/8" - 18	31,0	19,0	3/4"
LANN-08-08	1/2"	12	1/2"-14	37,3	22,0	7/8"
LANN-12-12	3/4"	18/20	3/4" - 14	40,4	27,0	1.1/16"
LANN-16-16	1"	25	1".11 1/2	50,0	33,0	1.5/16"
LANN-20-20	1.1/4"	28/30/32	1.1/4"-11 1/2	43,2	41,0	1.5/8"
LANN-32-32	2"	51	2".11 1/2	76,2	63,5	2.1/2"

LGNN

90° swivel nut elbow - male NPTF end / NPTF female swivel end

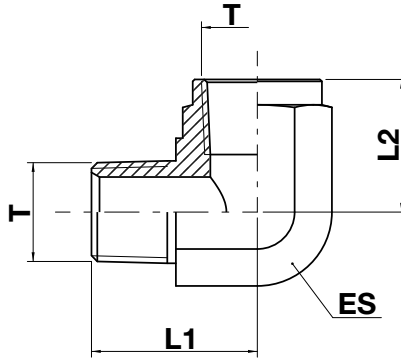


JIC
ORFS
BSP
NPTF
OTHERS

code	ø hose		thread		L1	L2	B	ES		CH	
	inch	dn	T1	T2				mm	mm	mm	↻ in
LGNN-02-02	1/8"	3	1/8" - 27	1/8" - 27	18,3	17,8	3,6	11,0	7/16"	14,3	9/16"
LGNN-04-04	1/4"	6	1/4" - 18	1/4" - 18	27,7	20,1	4,8	14,0	9/16"	17,5	11/16"
LGNN-04-06	1/4"	6	1/4" - 18	3/8" - 18	31,0	25,0	5,3	19,0	3/4"	22,2	7/8"
LGNN-06-06	3/8"	10	3/8" - 18	3/8" - 18	31,0	25,2	5,3	19,0	3/4"	22,2	7/8"
LGNN-06-08	3/8"	10	3/8" - 18	1/2" - 14	32,5	28,2	7,1	22,0	7/8"	25,4	1"
LGNN-08-06	1/2"	12	1/2" - 14	3/8" - 18	37,3	26,4	5,3	22,0	7/8"	22,2	7/8"
LGNN-08-08	1/2"	12	1/2" - 14	1/2" - 14	37,3	28,2	7,1	22,0	7/8"	25,4	1"
LGNN-12-08	3/4"	18	3/4"-14	1/2" - 14	40,4	33,8	7,1	27,0	1.1/16"	25,4	1"
LGNN-12-12	3/4"	18/20	3/4" - 14	3/4" - 14	40,4	33,0	8,9	27,0	1.1/16"	31,8	1.1/4"
LGNN-16-12	1"	25	1" - 11,5	3/4" - 14	50,0	44,3	8,9	33,0	1.5/16"	31,8	1.1/4"
LGNN-16-16	1"	25	1" - 11,5	1" - 11,5	50,0	39,1	8,9	33,0	1.5/16"	38,1	1.1/2"
LGNN-20-20	1.1/4"	28/30/32	1.1/4" - 11,5	1.1/4" - 11,5	60,5	43,9	10,7	41,0	1.5/8"	47,6	1.7/8"
LGNN-24-24	1.1/2"	35/38	1.1/2" - 11,5	1.1/2" - 11,5	67,0	59,0	10,7	47,6	1.7/8"	54,0	2.1/8"

LGNNA

90° elbow - male NPTF end / NPTF female fixed end

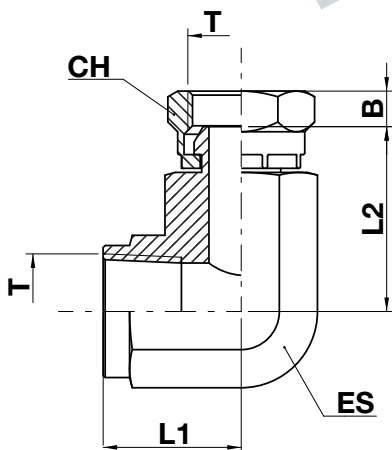


JIC
ORFS
BSP
NPTF
OTHERS

code	ø hose		thread	L1	L2	ES	
	inch	dn	T	mm	mm	mm	in
LGNNA-02-02	1/8"	3	1/8" - 27	19,8	16,0	14,0	9/16"
LGNNA-04-04	1/4"	6	1/4" - 18	27,7	22,4	19,0	3/4"
LGNNA-06-06	3/8"	10	3/8" - 18	31,0	25,9	22,0	7/8"
LGNNA-08-08	1/2"	12	1/2" - 14	37,3	31,2	27,0	1.1/16"
LGNNA-12-12	3/4"	18/20	3/4" - 14	40,4	34,5	33,0	1.5/16"
LGNNA-16-16	1"	25	1" - 11,1/2	50,0	41,2	41,0	1.5/8"
LGNNA-20-20	1.1/4"	28/30/32	1.1/4" - 11,5	60,5	49,8	48,0	1.7/8"

LFNN

90° union elbow - fixed female NPTF end / swivel NPTF female end

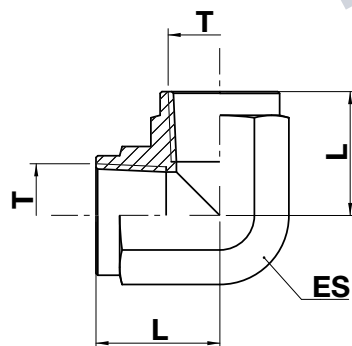


JIC
ORFS
BSP
NPTF
OTHERS

code	ø hose		thread	L1	L2	B	ES		CH	
	inch	dn	T	mm	mm	mm	mm	↻ in	mm	↻ in
LFNN-04-04	1/4"	6	1/4" - 18	22,4	23,4	4,8	19,0	3/4"	17,5	11/16"
LFNN-06-06	3/8"	10	3/8" - 18	26,0	25,7	5,3	22,2	7/8"	22,2	7/8"
LFNN-08-08	1/2"	12	1/2" - 14	31,2	31,4	7,0	27,0	1.1/16"	25,4	1"
LFNN-12-12	3/4"	18, 20	3/4" - 14	34,5	37,3	8,9	33,0	1.5/16"	31,8	1.1/4"
LFNN-16-16	1"	25	1" - 11.1/2	41,2	42,1	8,9	41,0	1.5/8"	38,1	1.1/2"

LFNNA

90° union elbow - fixed female NPTF ends

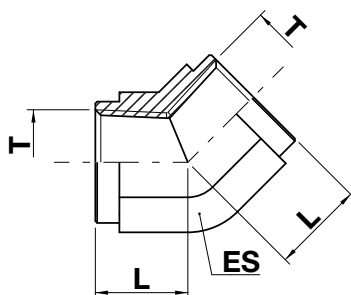


JIC
ORFS
BSP
NPTF
OTHERS

code	ø hose		thread	L	ES	
	inch	dn	T	mm	mm	in
LFNNA-02-02	1/8"	3	1/8" - 27	16,8	14,0	9/16"
LFNNA-04-04	1/4"	6	1/4" - 18	22,4	19,0	3/4"
LFNNA-06-06	3/8"	10	3/8" - 18	26,0	22,2	7/8"
LFNNA-08-08	1/2"	12	1/2" - 14	31,2	27,0	1.1/16"
LFNNA-12-12	3/4"	18/20	3/4" - 14	34,5	33,0	1.5/16"
LFNNA-16-16	1"	25	1" - 11.1/2	41,2	41,0	1.5/8"
LFNNA-20-20	1.1/4"	28/30/32	1.1/4" - 11.1/2	43,2	47,6	1.7/8"
LFNNA-32-32	2"	51	2" - 11.1/2	60,5	71,4	2.13/16"

VFNNA

45° union elbow - fixed female NPTF ends

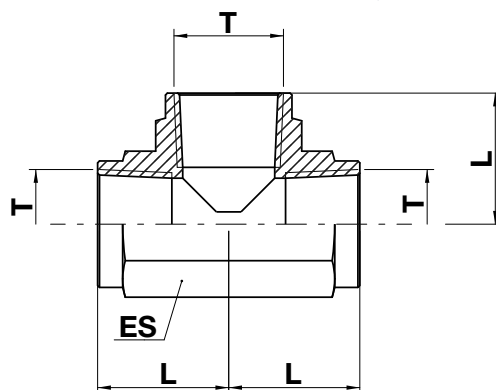


JIC
ORFS
BSP
NPTF
OTHERS

code	ø hose		thread	L	ES	
	inch	dn	T	mm	mm	in
VFNNA-04-04	1/4"	6	1/4" - 18	17,5	19,0	3/4"
VFNNA-06-06	3/8"	10	3/8" - 18	19,1	22,0	7/8"
VFNNA-08-08	1/2"	12	1/2" - 14	23,9	27,0	1.1/16"
VFNNA-12-12	3/4"	18/20	3/4" - 14	25,4	33,0	1.5/16"
VFNNA-16-16	1"	25	1" - 11.1/2	30,2	41,0	1.5/8"

T6N

Union tee - fixed female NPTF ends

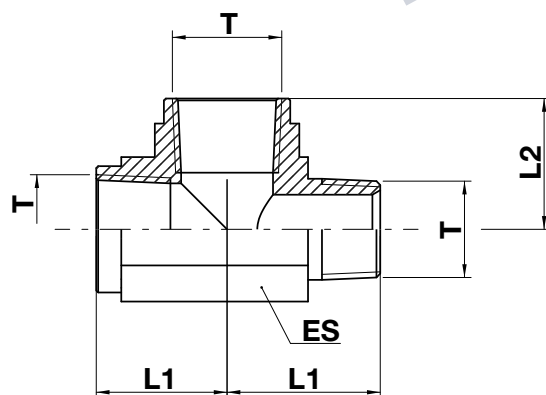


JIC
ORFS
BSP
NPTF
OTHERS

code	ø hose		thread	L	ES	
	inch	dn	T	mm	mm	in
T6N-02-02-02	1/8"	3	1/8"-27	16,8	14,0	9/16"
T6N-04-04-04	1/4"	6	1/4" - 18	22,4	19,0	3/4"
T6N-06-06-06	3/8"	10	3/8" - 18	25,9	22,0	7/8"
T6N-08-08-08	1/2"	12	1/2" - 14	31,2	27,0	1.1/16"
T6N-12-12-12	3/4"	18/20	3/4" - 14	34,5	33,0	1.5/16"
T6N-16-16-16	1"	25	1" - 11.1/2	41,2	41,0	1.5/8"
T6N-20-20-20	1.1/4"	28/30/32	1.1/4" - 11.1/2	43,2	48,0	1.7/8"

T8N

Male/female run tee - fixed female NPTF ends / male NPTF end

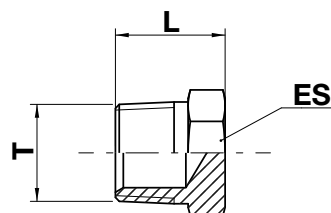


JIC
ORFS
BSP
NPTF
OTHERS

code	ø hose		thread	L1	L2	ES	
	inch	dn	T	mm	mm	mm	in
T8N-02-02-02	1/8"	3	1/8" - 27	16,8	14,0	9/16"	9/16"
T8N-04-04-04	1/4"	6	1/4" - 18	22,4	19,0	3/4"	3/4"
T8N-06-06-06	3/8"	10	3/8" - 18	25,9	22,0	7/8"	7/8"
T8N-08-08-08	1/2"	12	1/2" - 14	31,2	27,0	1.1/16"	1.1/16"
T8N-12-12-12	3/4"	18/20	3/4" - 14	34,5	33,0	1.5/16"	1.5/16"
T8N-16-16-16	1"	25	1" - 11.1/2	41,2	41,0	1.5/8"	1.5/8"

PAN

Male NPTF plug



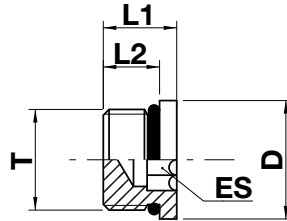
code	thread	L mm	ES	
	T		mm	in
PAN-02	1/8" - 27	14,30	11,1	7/16"
PAN-04	1/4" - 18	18,8	14,3	9/16"
PAN-06	3/8" - 18	19,6	17,5	11/16"
PAN-08	1/2" - 14	24,4	22,2	7/8"
PAN-12	3/4" - 14	28,8	27,0	1.1/16"
PAN-16	1" - 11.1/2	34,6	33,3	1.5/16"
PAN-20	1.1/4" - 11.1/2	36,3	44,5	1.3/4"
PAN-24	1,1/2" - 11,1/2	39,9	50,8	2"
PAN-32	2" - 11.1/2	43,50	63,5	2.1/2"

JIC
ORFS
BSP
NPTF
OTHERS

others

PEX

Hexagon socket plug - male UN/UNF end - O-ring (ISO 11926)

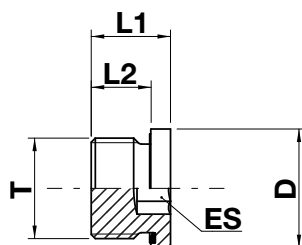


JIC
ORFS
BSP
NPTF
OTHERS

code	thread	L1 mm	L2 mm	D mm	ES	
	T				mm	in
PEX-04	7/16" - 20	11,9	9,1	14,3	4,8	3/16"
PEX-05	1/2" - 20	12,1	9,2	15,9	4,8	3/16"
PEX-06	9/16" - 18	12,7	9,9	17,5	7,5	19/64"
PEX-08	3/4" - 16	14,7	11,1	22,2	7,9	5/16"
PEX-10	7/8" - 14	16,5	12,7	25,4	9,5	3/8"
PEX-12	1.1/16"-12	19,5	15,1	31,8	14,3	9/16"
PEX-16	1.5/16" - 12	19,6	15,1	38,1	15,9	5/8"
PEX-20	1.5/8" - 12	19,5	15,1	47,6	19,0	3/4"
PEX-24	1.7/8" - 12	19,6	15,1	54,0	19	3/4"
PEX-32	2.1/2" - 12	19,6	15,1	69,8	19	3/4"

PMX

Blanking plug for ports - male metric thread - ED-seal (ISO 9974)



JIC
ORFS
BSP
NPTF
OTHERS

code	thread	L1	L2	D	ES
	T	mm	mm	mm	mm
PMX-08	M8 x 1	12,0	8,0	12,0	3,0
PMX-10	M10 x 1	12,0	8,0	14,0	5,0
PMX-12	M12 x 1,5	17,0	12,0	17,0	6,0
PMX-14	M14 x 1,5	17,0	12,0	19,0	6,0
PMX-16	M16 x 1,5	17,0	12,0	22,0	8,0
PMX-18	M18 x 1,5	17,0	12,0	24,0	8,0
PMX-20	M20 x 1,5	19,0	14,0	26,0	10,0
PMX-22	M22 x 1,5	19,0	14,0	27,0	10,0
PMX-24	M24 x 1,5	19,3	14,0	30,0	10,0
PMX-26	M26 x 1,5	21,3	16,0	32,0	12,0
PMX-27	M27 x 2	21,3	16,0	32,0	12,0
PMX-33	M33 x 2	22,8	16,0	40,0	17,0
PMX-42	M42 x 2	22,8	16,0	50,0	22,0
PMX-48	M48 x 2	22,8	16,0	55,0	24,0

GENERAL SALES CONDITIONS

Art. 1 - SCOPE

1.1 - These General Conditions govern all present and future sales contracts entered into by the Seller with regard to its Products, except for any exceptions specifically agreed upon in writing. These General Conditions apply both to contracts with Parties established in Italy and to contracts with Parties established in different States. Any reference to the terms of trade shall be understood to be made to the INCOTERMS 2020 of the International Chamber of Commerce.

1.2 - These General Conditions cancel and replace any other clause and/or General Purchase Conditions attached or otherwise indicated in the orders and/or in the different documentation sent by the Buyer, unless expressly accepted in writing by the Seller. In the latter case as well, unless expressly waived in writing between the Parties, the other clause and/or General Purchase Conditions shall be coordinated with these General Conditions that, insofar as they are compatible, shall remain valid and effective between the Parties.

Art. 2 - FORMATION OF SALES CONTRACT

2.1 - The acceptance by the Buyer of the Seller's offer or order confirmation, howsoever made, entails the application of these General Conditions to the sales contract, even when acceptance takes place by means of execution of the contract. The Seller's offer shall be deemed firm and irrevocable only when it is qualified as such in writing by the Seller and a term of validity is specified therein. The Buyer's reply containing supplements or amendments, even if such as not to substantially alter the terms of the Supplier's proposal shall be deemed as a counterproposal, notwithstanding the Seller's silence. Any offers made by agents, representatives and/or sales assistants of the Seller shall not be binding for the Seller until confirmed by it.

Art. 3 - SAMPLES, DRAWINGS AND TECHNICAL DOCUMENTS - SUBCONTRACTING - CONFIDENTIALITY

3.1 - The weights, dimensions, thicknesses, capacities, prices, yields, colours and other data contained in the Seller's catalogues, brochures, advertisements, illustrations, price lists or other documents, as well as the characteristics of the samples and models sent by the latter to the Buyer, are to be considered purely indicative and, therefore, they are not binding, unless expressly mentioned as such in the Seller's offer or order confirmation.

3.2 - Any drawing, document, technical information or software which permits the manufacture or assembly of the sold Products or parts thereof which are delivered to the Buyer, both before and after the conclusion of the contract, remain the sole property of the Seller. The above-mentioned drawings, documents, technical information or software may not be used by the Buyer for non-contractual purposes as well as copied, reproduced, sent or communicated to third parties without the prior written consent of the Seller. The Buyer, in particular, may not entrust to third parties, nor carry out directly, the manufacture of Products which are a total or partial reproduction of the Products or which in any case use intellectual property rights, know-how or technology of the Seller.

3.3 - The Buyer's drawings, documents, technical information or software delivered to the Seller before or after the conclusion of the contract, shall remain the sole property of the Buyer and shall not be used by the Seller, or copied, reproduced, sent or communicated to third parties without the written consent of the Buyer to the extent that they are:

- a) covered by a patent or other industrial or intellectual property right of the Buyer; or
- b) secret, i.e. they do not refer to knowledge made public by

the Buyer or otherwise known to the generality of the operators in the sector, and are not trivial; provided, however, that the Buyer has expressly made known to the Seller in writing its desire to reserve for itself the exclusive right of exploitation.

3.4 - The Seller reserves the right, under its own responsibility, to subcontract part of the Products ordered by the Buyer.

3.5 - The Buyer undertakes not to disclose to third parties or to use for non-contractual purposes, even after the termination of any agreement with the Seller, any commercial or business secrets, as well as any confidential information of the Seller, that it became aware during the contractual relationship.

Art. 4 - PRODUCT DELIVERY

4.1 - Unless otherwise agreed, the delivery of Products shall take place Ex works (INCOTERMS 2020), even when the Parties have agreed that shipment and/or assembly shall be carried out by the Seller. In this case, the Seller shall act as the Buyer's agent, it being understood that transport shall be carried out by the Buyer at its own expense and risk.

4.2 - The risks shall pass to the Buyer according to the applicable INCOTERMS. In no case, the Seller shall be liable for the deterioration or damage of the Products occur after the passing of risks and the Buyer shall in any case be obliged to pay the agreed price.

4.3 - The Seller shall make its best efforts to comply with the delivery terms indicated in the offer or in the order confirmation, which, unless otherwise agreed in writing between the Parties, cannot be regarded as essential.

4.4 - Should the Parties have agreed to the payment of a penalty by the Seller in case of delay in the delivery of the Products, the Buyer shall not be entitled to claim, as compensation for damages caused by the delay, the payment of amounts in addition to those agreed as a penalty.

4.5 - The delivery terms shall be understood as extended by a period equal to the duration of the impediment if the Buyer does not provide - in due time - the data or materials necessary for the supply, requests variations in progress or is late in responding to requests for approval of the drawings or the executive diagrams.

4.6 - The Buyer shall always held to take delivery of the Products, even in the case of partial deliveries, early deliveries, or deliveries carry out after the date agreed by the Parties. Under no circumstances, the Seller shall be liable for direct and/or indirect damage deriving from early or delayed delivery of the Products. Should the Buyer not take delivery of the Products for reasons not attributable to the Seller or for force majeure reasons, the Buyer shall support all the expenses that may derive therefrom, and any sum due to the Seller, at any time, will become immediately due.

In this case the Seller may:

- a) put in stock the Products at the risk, danger and expense of the Buyer; or
 - b) send the Products in the name, on the behalf of and at the Buyer's expense to the Buyer's premises; or
 - c) sell the Products by any means on behalf of the Buyer, withholding from the proceeds the whole sum due, as well as the expenses incurred.
- Eventual further damages not excluded.

Art. 5 - WARRANTY

5.1 - The Seller warrants that the supplied Products comply in terms of quantity, quality, type as well as to technical specifications expressly agreed in the contract, excluding any warranty regarding the specific use which the Buyer, or its sub-buyer, makes of the purchased product. Moreover, the Seller warrants that the Products are free from defects that may make them unsuitable for their intended use.

5.2 - The warranty shall be limited to defects of the Products

resulting from defects in material or manufacturing attributable to the Seller and shall not be valid if:

- a) the Buyer fails to prove that the Products have been properly used, maintained, stored and looked after;
- b) the Buyer has made changes or repairs to the Products without the prior written consent of the Seller;
- c) the Products have been assembled or used incorrectly;
- d) Product defects are due to normal wear and tear of those parts which, by their nature, are subject to rapid and continuous wear and tear;
- e) the conformity defects were caused by an event subsequent to the transfer of risks to the Buyer.

5.3 - The warranty lasts for 12 (twelve) months starting from the date of delivery of the Products to the Buyer. The warranty is subject to regular and timely notification of defects and nonconformities by the Buyer according to the provisions of the following paragraph, as well as express written warranty service request. The warranty for replaced Products shall become effective from the day of any replacement. The warranty for the replaced components of the Product shall begin on the day of replacement, and in any case applies only to the replaced component.

5.4 - The Buyer shall notify Products defects or nonconformities in writing, indicating in detail the detected defects and nonconformities, the date of delivery and the quantity of defective Products. The notification must be made, under penalty of forfeiture, within and not later than 15 days from the date of delivery in the case of obvious defects or from the date of discovery, provided that it is made within the warranty period, in the case of hidden faults, defects or nonconformities.

5.5 - The Buyer shall forfeit the warranty if it fails to agree any reasonable check requested by the Seller or if, the Seller offers to replace the fault part at its own expense, the Buyer fails to return the defective Products within 15 days from the request.

5.6 - Should the Buyer's complaint is unfounded, the Buyer shall be obliged to reimburse the Seller for all expenses incurred by the latter for the inspection. Instead, should the Buyer's complaint, made in accordance with the provisions of this article, is well-founded, the Seller shall, in its sole discretion and within a reasonable time (having regard to the seriousness of the complaint), replace free of charge defective or nonconforming Products at the Seller's premises. The Buyer shall be responsible for returning the Products. Should the Parties agree that the replacement operations are best carried out directly at the Buyer's premises or elsewhere, the travel expenses - including travel, board and lodging of the Seller's personnel - shall be to the charge of the Buyer, who shall also provide all means and auxiliary personnel required to do the job in the fastest and safest way.

5.7 - Once the warranty period has elapsed, no claim may be made against the Seller.

Art. 6 - LIMITED LIABILITY OF SELLER

6.1 - Except in case of fraud or gross negligence on the part of the Seller, any compensation for any damage to the Buyer shall not in any case exceed the invoice value of the defective Product. The warranty referred to in the previous Article includes and supersedes all legal warranties for defects and conformity, excluding any other possible liability of the Seller, howsoever deriving from the supplied Products. The Buyer shall therefore not be entitled to lodge any other claims for damages, price reduction or contract termination.

6.2 - The Seller's liability is contained within the limits set forth in the previous Article and relates only to the Products supplied by the Seller itself. The latter therefore disclaims all liability for any failure or malfunction of systems or machines manufactured by the Buyer or by third parties using the Products supplied by the Seller, even in the event of these hav-

ing been assembled or connected according to diagrams or drawings suggested by the Seller, unless such diagrams and drawings have been the subject of separate remuneration: in the latter case, the Seller's liability shall in any case be limited to what is included in the diagrams or drawings in question.

6.3 - Under no circumstances shall the Seller be deemed liable for indirect or consequential damages, loss of production or lost profits.

Art. 7 - TECHNICAL STANDARDS AND CIVIL LIABILITY

7.1 - The Seller warrants the performance of the Products only and exclusively in relation to the uses, purposes, applications, tolerances, capacities expressly indicated by it and the Buyer is not therefore authorised to make use of them in a different way. If the Buyer's intention is to resell the Products, the Buyer shall be required to bring and shall be responsible for bringing to the knowledge of its buyers the indications set forth in the previous paragraph.

7.2 - The compensation for any personal injury or property damage, caused by defects in the supplied Products and directly attributable to the Seller, shall be limited to the maximum amount indicated in the policy for third party liability and is subject to the terms and conditions of application of said policy.

Art. 8 - PRICES - PAYMENTS

8.1 - Unless otherwise specified in the offer or order confirmation, prices should be understood as Ex Works and, do not include: packaging costs, taxes, duties, and any other additional charges. Likewise, unless otherwise agreed by the Parties, the following are not included in the price: any design and installation of the supplied Products, tests, manuals and training courses, start-up assistance, and all services and charges not mentioned in the offer or order confirmation.

8.2 - Payments, and any other sum due to the Seller for any reason whatsoever, shall be deemed to be net at the Seller's registered office and shall be made in accordance with the agreed terms and conditions. The Buyer, in case of delay in payment, shall be required to pay default interest, without the need for notice of default.

8.3 - Any delay in payment shall also give the Seller the right to invalidate, for the entire duration of the delay, the warranty referred to in Art. 5 above. The Buyer shall be obliged to pay the full price even in case of dispute or complaint. No offset-

ting shall be allowed against any amounts owed, howsoever arising, by the Seller.

Art. 9 – RETENTION OF TITLE

9.1 - In the event of payment being made - in whole or in part - after delivery, the delivered Products remain the Seller's property until the moment of the complete payment of the price according to the measure allowed by the law of the country where the Products are located. The Buyer undertakes to do whatever necessary to constitute in the country above mentioned a valid retention of title in the most extensive form permitted, or to provide a similar form of guarantee in favour of the Seller.

Art. 10 - WITHDRAWAL FROM SALES CONTRACT - SUSPENSION

10.1 - The Seller reserves the right to withdraw from the sales contract and cancel, in whole or in part, the Buyer's order in the event of a significant change in the Buyer's economic conditions and solvency, as well as in the case of any payment delay or irregularity on the part of the Buyer, including if related to a different supply.

10.2 - The Seller shall be entitled at any time to suspend the execution of the contract, giving written notice of at least 30 (thirty) working days to the Buyer for a maximum of 3 (three) months without incurring any liability. Within 3 (three) months from the relative notice of suspension, the Seller shall be required to communicate to the Buyer the continuation of the contract execution with prior written notice of at least 30 (thirty) working days. In the event of the Seller not asking for the contract to be continued within the established time limit of 3 (three) months, the Buyer shall be entitled to terminate the contract immediately by giving prompt written notice to the Seller.

Art. 11 - FORCE MAJEURE

11.1 - Should the manufacture and/or delivery of the Products by the Seller become impossible, excessively onerous or delayed due to a Force Majeure Event as defined in paragraph 11.2 below, the Seller may, at its option: (i) suspend deliveries of the Products until the Force Majeure Event has ceased; (ii) deliver a smaller quantity of Products, if the Products in its warehouse are insufficient and intended proportionately to satisfy other customers of the Seller; (iii) withdraw from the

contract, giving prompt written notice to the Buyer. Following the withdrawal, the Seller shall complete the execution of the delivery of the Products purchased by the Buyer for the part not affected by the Force Majeure Event, it being understood that the Buyer shall not make any further claim against the Seller, deriving directly or indirectly from the early termination of the contractual agreement.

If the impediment caused by the Force Majeure Event persists for a period of more than 90 (ninety) days, each party shall be entitled to withdraw from the relevant contract, without its acquiring any right to compensation for damages with respect to the other party.

Should any Force Majeure Event occur, the Seller shall not in any case be liable for any damages suffered by the Buyer as a result of the delay in delivery of the Products.

11.2 - "Force Majeure Event" means any event beyond the Seller's control that affects the production or delivery capacity of the Products - including without limitation strikes, non-delivery or delayed delivery, including partial, of raw materials by the Seller's suppliers, partial or total breakdowns of machinery and plants to be used in the production of the Products, fires, floods, riots, government decisions, regulatory changes, epidemics, pandemics or other health emergencies.

Art. 12 – APPLICABLE LAW - DISPUTES

12.1 - For everything not provided for, these general conditions shall be governed by Italian law. Any dispute arising out or in connection with the contracts to which these General Conditions apply shall be subject to the exclusive jurisdiction of the Seller's Court of Law. However, the Seller shall be entitled to act before Court of Law where the Buyer's registered office is located.

According to and for the effects of articles 1341 and 1342 of the Italian Civil Code, the following articles are deemed expressly approved: Art. 4.6 - Buyer's obligation to take over the Products - Limitation of the Seller's liability in case of delayed or early delivery of the Products; Art. 5.5 - Forfeiture of the right of warranty; Art. 6 - Limited liability of Seller; Art. 7.2 - Civil Liability; Art. 8.3 - Invalidation of warranty due to late payment - Obligation to pay disputed amounts - No set-off; Art. 10 - Withdrawal from sales contract - Suspension; Art. 12 - Applicable law - Disputes.

CONDIZIONI GENERALI DI VENDITA

Art. 1 - AMBITO DI APPLICAZIONE

1.1 - Le presenti Condizioni Generali disciplinano tutti gli attuali e futuri contratti di vendita stipulati dal Venditore relativamente ai suoi Prodotti salvo eventuali deroghe specificamente concordate per iscritto e si applicano sia ai contratti con Parti aventi sede in Italia sia a contratti con Parti che abbiano sede in Stati diversi. Il riferimento ad eventuali termini di resa si intenderà fatto agli INCOTERMS ed. 2020 della Camera di Commercio Internazionale.

1.2 - Le presenti Condizioni Generali annullano e sostituiscono ogni eventuale altra clausola e/o Condizione Generale di Acquisto allegata o altrimenti indicata negli ordini e/o nella diversa documentazione trasmessa dal Compratore, a meno che espressamente accettata per iscritto dal Venditore. Anche in quest'ultimo caso però, salvo espressa deroga scritta tra le Parti, le stesse dovranno essere coordinate con le presenti Condizioni Generali che, in quanto compatibili, rimarranno comunque efficaci tra le Parti.

Art. 2 - FORMAZIONE DEL CONTRATTO DI VENDITA

2.1 - L'accettazione, da parte del Compratore, dell'offerta o della conferma d'ordine del Venditore, comunque effettuata, comporta l'applicazione al contratto di vendita delle presenti Condizioni Generali, e ciò anche quando l'accettazione avvenga mediante la semplice esecuzione del contratto. L'offerta del Venditore si considera ferma ed è irrevocabile soltanto se viene dallo stesso qualificata tale per iscritto ed è in essa specificato un termine di validità. Si considera controproposta, nonostante il silenzio del Venditore, la risposta del Compratore che contenga aggiunte o modifiche, anche se tali da non alterare sostanzialmente i termini della proposta. Eventuali offerte fatte da agenti, rappresentanti e/o ausiliari di commercio del Venditore non saranno impegnative per quest'ultimo fino alla conferma da parte del Venditore stesso.

Art. 3 - CAMPIONI, DISEGNI E DOCUMENTI TECNICI - SUBFORNITURA - RISERVATEZZA

3.1 - I pesi, le dimensioni, gli spessori, le capacità, i prezzi, i rendimenti, i colori e gli altri dati figuranti nei cataloghi, prospetti, annunci pubblicitari, illustrazioni, listini prezzi o altri documenti del Venditore, così come le caratteristiche dei campioni e dei modelli da quest'ultimo inviati al Compratore, hanno carattere di indicazioni approssimative e, pertanto, non hanno valore impegnativo se non nella misura in cui espressamente menzionati come tali nell'offerta o nella conferma d'ordine del Venditore.

3.2 - Qualsiasi disegno, documento, informazione tecnica o software che permetta la fabbricazione o il montaggio dei Prodotti venduti o di loro parti del Venditore che siano rimessi al Compratore, tanto prima che dopo la stipulazione del contratto, rimangono di esclusiva proprietà del Venditore. I suddetti disegni, documenti, informazioni tecniche o software non potranno essere utilizzati dal Compratore per fini extracontrattuali o copiati, riprodotti, trasmessi o comunicati a terzi senza il previo consenso scritto del Venditore. Il Compratore, in particolare, non potrà affidare a terzi, né effettuare direttamente, la realizzazione di Prodotti che siano una riproduzione, totale o parziale, dei Prodotti o che comunque impieghino diritti di proprietà intellettuale, know-how o tecnologia del Venditore.

3.3 - I disegni, documenti, informazione tecnica o software del Compratore rimesse al Venditore prima o dopo la stipula del contratto, rimangono di esclusiva titolarità del Compratore e non potranno essere utilizzati dal Venditore, o copiati, riprodotti, trasmessi o comunicati a terzi senza il consenso scritto del Compratore nei limiti in cui essi:

a) siano coperti da brevetto o ad un altro diritto di proprietà

industriale o intellettuale del Compratore; ovvero

b) abbiano carattere segreto, e cioè non si riferiscano a cognizioni rese pubbliche dal Compratore o altrimenti note alla generalità degli operatori del settore, e non siano banali; purché, tuttavia, il Compratore abbia espressamente manifestato al Venditore per iscritto la propria volontà di riservarsi il diritto di sfruttamento esclusivo.

3.4 - Il Venditore si riserva il diritto, sotto la propria responsabilità, di affidare in subfornitura parte dei Prodotti commissionatigli dal Compratore.

3.5 - Il Compratore si impegna a non rivelare a terzi né ad utilizzare a fini extracontrattuali, anche dopo la cessazione di ogni rapporto con il Venditore, i segreti commerciali od aziendali, nonché ogni notizia riservata del Venditore di cui sia venuto a conoscenza in occasione dei rapporti contrattuali instaurati con quest'ultimo.

Art. 4 - CONSEGNA DEI PRODOTTI

4.1 - Salvo patto contrario, la consegna dei Prodotti ha luogo Ex works (INCOTERMS 2020), anche quando le Parti abbiano convenuto che la spedizione e/o il montaggio avvengano a cura dal Venditore: in tal caso, infatti, il Venditore agirà come mandatario del Compratore, essendo inteso che il trasporto verrà effettuato a spese e a rischio di quest'ultimo.

4.2 - I rischi passano al Compratore secondo quanto stabilito negli INCOTERMS applicabili. Il Venditore non risponde in nessun caso del perimento o del danneggiamento dei Prodotti avvenuto dopo il passaggio dei rischi ed il Compratore sarà comunque tenuto al pagamento del prezzo pattuito.

4.3 - Il Venditore farà del suo meglio per rispettare i termini di consegna indicati nell'offerta ovvero nella conferma d'ordine che comunque, salvo diverso accordo scritto tra le Parti, non potranno essere considerati essenziali.

4.4 - Laddove le Parti abbiano convenuto il pagamento di una penale da parte del Venditore per il caso di ritardo nella consegna dei Prodotti, il Compratore non potrà esigere, a titolo di risarcimento dei danni causati dal ritardo, il pagamento di somme ulteriori rispetto a quelle pattuite a titolo di penale.

4.5 - I termini di consegna dovranno intendersi prorogati di un periodo pari a quello di durata dell'impedimento qualora il Compratore non fornisca in tempo utile i dati o i materiali necessari alla fornitura, richieda delle varianti in corso di esecuzione ovvero ritardi nel rispondere alle richieste di approvazione dei disegni o degli schemi esecutivi.

4.6 - Il Compratore è sempre tenuto a prendere in consegna i Prodotti anche in caso di consegne parziali, anticipate o successive alla data concordata dalle Parti. In nessun caso il Venditore potrà essere ritenuto responsabile per i danni diretti e/o indiretti derivanti da anticipata o ritardata consegna dei Prodotti. Nel caso in cui il Compratore non abbia preso in consegna i Prodotti per cause non imputabili al Venditore o per cause di forza maggiore, il Compratore sopporterà tutte le spese, e ogni somma dovuta al Venditore, a qualsiasi titolo, diventerà immediatamente esigibile.

In tal caso il Venditore potrà:

a) immagazzinare i Prodotti a rischio, pericolo e spese del Compratore;

b) spedire i Prodotti in nome, per conto e a spese del Compratore presso la sede di quest'ultimo;

c) vendere con qualsiasi mezzo i Prodotti per conto del Compratore, trattenendo dal ricavato l'intero importo dovuto nonché le spese sostenute.

Sono fatti salvi gli ulteriori danni.

Art. 5 - GARANZIA

5.1 - Il Venditore garantisce che i Prodotti forniti sono conformi per quantità, qualità, tipo nonché alle specifiche tecniche espressamente concordate in contratto, con esclusione di qualunque garanzia circa l'impiego specifico al quale il Compratore, o il suo sub-acquirente, destina il prodotto acquista-

to, e che sono esenti da vizi che possano renderli non idonei all'uso cui sono destinati.

5.2 - La garanzia per vizi è limitata ai soli difetti dei Prodotti conseguenti a difetti di materiale o di fabbricazione riconducibili al Venditore e non opera nel caso in cui:

a) il Compratore non provi di aver effettuato un corretto uso, manutenzione, stoccaggio e conservazione dei Prodotti;

b) il Compratore abbia apportato delle modifiche o riparazioni ai Prodotti, senza il previo consenso scritto del Venditore;

c) i Prodotti siano stati montati o utilizzati non correttamente;

d) i difetti dei Prodotti siano dovuti alla normale usura di quelle parti che, per loro natura, sono soggette ad usura rapida e continua;

e) i difetti di conformità abbiano la loro causa in un fatto successivo al passaggio dei rischi al Compratore.

5.3 - La garanzia ha una durata di 12 (dodici) mesi decorrenti dalla data della consegna dei Prodotti al Compratore ed è subordinata alla regolare e tempestiva denuncia dei vizi e delle difformità da parte di quest'ultimo secondo quanto disposto al successivo comma, accompagnata dall'espressa richiesta scritta al Venditore di effettuare un intervento in garanzia. La garanzia per i Prodotti sostituiti decorre dal giorno dell'eventuale sostituzione. La garanzia per i componenti del Prodotto sostituiti decorre dal giorno dell'eventuale sostituzione, e comunque vale per il solo componente sostituito.

5.4 - La denuncia dei vizi o difetti di conformità dei Prodotti deve essere effettuata dal Compratore per iscritto e indicare dettagliatamente i vizi e le non conformità contestate, la data della consegna e la quantità di Prodotti difettosi. La denuncia deve essere effettuata, a pena di decadenza entro e non oltre 15 giorni decorrenti dalla data di consegna, nel caso di vizi palesi ovvero dalla data della scoperta, purché entro il periodo di durata della garanzia, laddove si tratti di vizi, difetti o non conformità occulti.

5.5 - Il Compratore decade dal diritto di garanzia laddove non consenta ogni ragionevole controllo richiesto dal Venditore o se, avendo il Venditore fatto richiesta di restituzione del Prodotto difettoso a proprie spese, il Compratore ometta di restituire i Prodotti difettosi entro 15 giorni dalla richiesta.

5.6 - Nel caso in cui la denuncia effettuata dal Compratore risulti infondata, quest'ultimo sarà tenuto a risarcire al Venditore tutte le spese da quest'ultimo sostenute per l'accertamento. Qualora invece la denuncia del Compratore, effettuata in conformità a quanto statuito nel presente articolo, risulti fondata, il Venditore provvederà - a sua esclusiva e discrezionale scelta ed entro un termine ragionevole (avuto riguardo all'entità della contestazione) - a sostituire gratuitamente EXW-sede del Venditore i Prodotti difettosi o non conformi, effettuando le suddette operazioni presso i propri stabilimenti. La resa dei Prodotti è a carico del Compratore. Laddove le Parti concordino sull'opportunità di effettuare le operazioni di sostituzione direttamente presso gli stabilimenti del Compratore o in altro luogo, le spese di trasferta - comprendenti viaggio, vitto e alloggio del personale del Venditore - saranno a carico del Compratore, il quale fornirà inoltre tutti i mezzi e il personale ausiliario richiesti per eseguire l'intervento nel modo più rapido e sicuro.

5.7 - Decorsa la durata della garanzia, nessuna pretesa potrà essere fatta valere nei confronti del Venditore.

Art. 6 - LIMITAZIONE DI RESPONSABILITÀ DEL VENDITORE

6.1 - Salvo dolo o colpa grave del Venditore, l'eventuale risarcimento di qualsiasi danno al Compratore non potrà comunque superare il valore di fattura del Prodotto difettoso. La garanzia di cui al precedente Articolo è assorbente e sostitutiva delle garanzie legali per vizi e conformità ed esclude ogni altra possibile responsabilità del Venditore, comunque originata dai Prodotti forniti. Il Compratore non potrà pertanto avanzare altre richieste di risarcimento del danno, di ridu-

zione del prezzo o di risoluzione del contratto.

6.2 - La responsabilità del Venditore è contenuta nei limiti di cui al precedente Articolo ed è relativa ai soli Prodotti forniti dal Venditore medesimo. Quest'ultimo non assume pertanto alcuna responsabilità per l'eventuale difettoso funzionamento di sistemi o macchine realizzati dal Compratore o da terzi con i Prodotti forniti dal Venditore, anche nel caso gli stessi siano stati montati o collegati secondo schemi o disegni suggeriti dal Venditore, a meno che tali schemi e disegni non siano stati oggetto di distinta remunerazione: in tale ultimo caso, la responsabilità del Venditore sarà comunque circoscritta a quanto compreso negli schemi o disegni in oggetto.

6.3 - In nessun caso il Venditore potrà essere ritenuto responsabile per danni indiretti o consequenziali, perdite di produzione o mancati profitti.

Art. 7 - NORME TECNICHE E RESPONSABILITÀ CIVILE

7.1 - Il Venditore garantisce le prestazioni dei Prodotti solo ed esclusivamente in relazione ad usi, destinazioni, applicazioni, tolleranze, capacità da lui espressamente indicati e il Compratore non è dunque autorizzato a disporre in modo difforme. Qualora il Compratore destini i Prodotti alla rivendita, sarà suo onere e responsabilità portare a conoscenza dei suoi acquirenti le indicazioni di cui al precedente comma.

7.2 - Il risarcimento per eventuali danni a persone o cose, derivanti dalla difettosità dei Prodotti forniti e direttamente riconducibile al Venditore, è limitato al massimale indicato nella polizza per responsabilità civile della medesima ed è subordinato ai termini ed alle condizioni di applicazione di detta polizza.

Art. 8 - PREZZI - PAGAMENTI

8.1 - Salvo sia altrimenti specificato nell'offerta o nella conferma d'ordine, i prezzi si intendono sempre Ex Works e non comprendono: i costi di imballaggio, le imposte, i dazi e ogni altro onere aggiuntivo. Del pari, a meno che le Parti abbiano diversamente convenuto, non sono compresi nel prezzo: l'eventuale progettazione e l'installazione dei Prodotti forniti, i collaudi, manuali e corsi di addestramento, l'assistenza all'avviamento e tutte le prestazioni e gli oneri non menzionati nell'offerta o nella conferma d'ordine.

8.2 - I pagamenti, e ogni altra somma dovuta a qualsiasi titolo al Venditore, si intendono netti alla sede del Venditore e dovranno essere effettuati conformemente alle modalità convenute. Il Compratore, in caso di ritardo nel pagamento, sarà tenuto a corrispondere, senza necessità di messa in mora, gli interessi moratori.

8.3 - Eventuali ritardi nei pagamenti attribuiranno altresì al

Venditore il diritto di escludere, per tutto il periodo di permanenza del ritardo, la garanzia di cui al precedente Art. 5. Il Compratore è tenuto al pagamento integrale del prezzo anche in caso di contestazione o controversia. Non è ammessa compensazione con eventuali crediti, comunque insorti, nei confronti del Venditore.

Art. 9 - RISERVA DI PROPRIETÀ

9.1 - Nel caso in cui il pagamento debba essere effettuato - in tutto o in parte - dopo la consegna, i Prodotti consegnati restano di proprietà del Venditore sino al momento del completo pagamento del prezzo nella misura permessa dalla legge del Paese dove i prodotti si trovano. Il Compratore s'impegna a fare quanto necessario per costituire nel suddetto Paese una valida riserva di proprietà nella forma più estesa consentita, o per porre in essere un'analoga forma di garanzia a favore del Venditore.

Art. 10 - RECESSO DAL CONTRATTO DI VENDITA - SOSPENSIONE

10.1 - Il Venditore si riserva il diritto di recedere dal contratto di vendita e annullare, in tutto od in parte, l'ordine del Compratore in caso di sensibile modifica delle condizioni economiche del Compratore e della sua solvibilità nonché qualsiasi ritardo o irregolarità nel pagamento da parte del Compratore, anche se relativo a una diversa fornitura.

10.2 - Il Venditore potrà in ogni momento sospendere l'esecuzione del contratto, dandone preavviso scritto di almeno 30 (trenta) giorni lavorativi al Compratore per un massimo di 3 (tre) mesi senza incorrere in alcuna responsabilità. Entro 3 (tre) mesi dalla relativa comunicazione di sospensione il Venditore dovrà comunicare al Compratore la ripresa dell'esecuzione del contratto dandone preavviso scritto di almeno 30 (trenta) giorni lavorativi. Qualora il Venditore non richieda la prosecuzione del contratto entro il termine stabilito di 3 (tre) mesi, il Compratore avrà la facoltà di risolvere immediatamente il contratto dandone tempestiva comunicazione scritta al Venditore.

Art. 11 - FORZA MAGGIORE

11.1 - Ove la produzione e/o la consegna dei Prodotti da parte del Venditore sia resa impossibile, eccessivamente onerosa o ritardata a causa di un Evento di Forza Maggiore come definito dal successivo Art. 11.2, il Venditore potrà, a propria scelta: (i) sospendere le consegne dei Prodotti fintantoché non sia cessato l'Evento di Forza Maggiore; (ii) consegnare una quantità minore di Prodotti, qualora i Prodotti presenti nel proprio

magazzino siano insufficienti e vengano destinati in proporzione a soddisfare altri clienti del Venditore; (iii) recedere dal contratto, dandone tempestiva notifica per iscritto al Compratore. A seguito del recesso, il Venditore completerà l'esecuzione della consegna dei Prodotti acquistati dal Compratore per la parte non inficiata dall'Evento di Forza Maggiore, restando inteso che il Compratore non avanzerà qualsivoglia ulteriore pretesa nei confronti del Venditore, derivante direttamente o indirettamente dall'anticipato scioglimento del rapporto contrattuale.

Ove l'impedimento dovuto all'Evento di Forza Maggiore persista per un periodo superiore a 90 (novanta) giorni, ciascuna parte avrà diritto di recedere dal relativo contratto, senza che sorga in capo ad essa alcun diritto nei confronti dell'altra parte al risarcimento di danni.

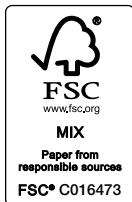
Ove ricorrano Eventi di Forza Maggiore, il Venditore non risponderà in alcun caso di eventuali danni derivanti per il Compratore dal ritardo nella consegna dei Prodotti.

11.2 - Per "Evento di Forza Maggiore" si intende qualsiasi evento al di fuori del controllo del Venditore che incida sulla capacità produttiva o di consegna dei Prodotti - ivi inclusi, a titolo esemplificativo, scioperi, mancata o ritardata consegna, anche parziale, delle materie prime da parte dei fornitori del Venditore, rotture parziali o totali di macchinari e impianti da impiegarsi nella realizzazione dei Prodotti, incendi, inondazioni, rivolte, decisioni delle autorità, modifiche normative, epidemie, pandemie o altre emergenze sanitarie.

Art. 12 - LEGGE APPLICABILE - CONTROVERSIE

12.1 - Per tutto quanto non previsto le presenti Condizioni Generali sono regolate dalla legge italiana. Per ogni controversia relativa o comunque collegata ai contratti cui si applicano le presenti Condizioni Generali è esclusivamente competente il Foro del Venditore. Quest'ultimo avrà tuttavia facoltà di agire dinanzi al foro della sede del Compratore.

Ai sensi e per gli effetti degli articoli 1341 e 1342 del Codice Civile si intendono espressamente approvati i seguenti articoli: Art. 4.6 - Obbligo del compratore di prendere in consegna i Prodotti - Limitazione di responsabilità del Venditore in caso di consegna ritardata o anticipata dei Prodotti; Art. 5.5 - Decadenza dal diritto di garanzia; Art. 6 - Limitazione di responsabilità del Venditore; Art. 7.2 - Responsabilità Civile; Art. 8.3 - Esclusione di garanzia per ritardo nel pagamento - Obbligo di pagamento somme contestate - Divieto di Compensazione; Art. 10 - Recesso dal contratto di vendita - Sospensione; Art. 12 - Legge applicabile - Controversie.



This catalogue is printed
on FSC certified paper.

Save paper, save trees!
Please note you will always
find the most updated edition
of this catalogue available on
our website **www.intertraco.it**

Intertraco (Italia) S.p.A.

Via Amaldi 1/A
I-46029 Suzzara
Mantova | Italy

T. +39 0376 539711
F. +39 0376 521722
info@intertraco.it

www.intertraco.it

